



BT-AC 100

The buffer tank is used to store thermal energy for a heating system. It can be used for heating and cooling.

These tanks are made of an enamelled steel cylinder adapted to the storage of heating water, but not adapted to the storage of domestic hot water.

Description

- Buffer tank for chilled water and heating circuit, without exchanger
- Enamelled steel cylinder
- 9006 grey RAL polystyrene finish



Tank guarantee 2 years

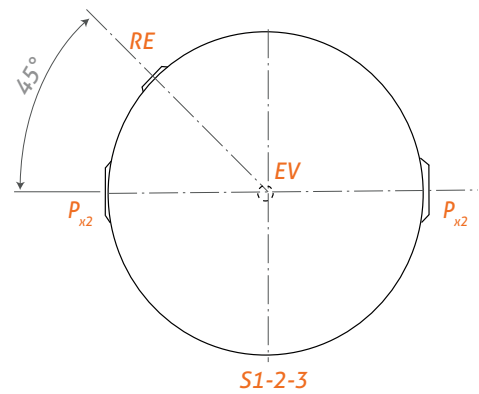
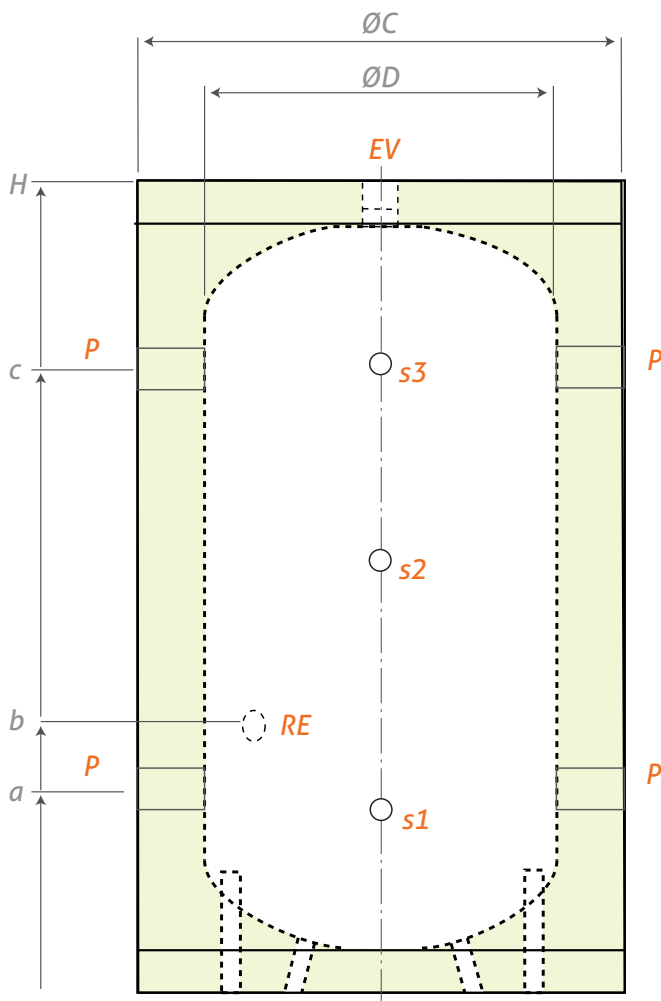
Certifications

Made in the European Union



BT-AC 100 litres

Model / reference	100 L
Tank	BT0100AC
Empty weight (kg)	-
Insulation: thickness (mm)/ material	55 / polyurethane
Heat dissipation ΔT 45K (W)	43
Cooling constant (Wh/l/K)	0.2389
Max. working temperature (°C)	95
Fire-resistance class	B2 DIN 4102-1
Cylinder	
Capacity (liters)	96
Max. working pressure (bar)	10
Connections	4



Piquages		Modèle
		100
EV	Piquage pour purgeur	3/4"
RE	Résistance électrique	1 1/2"
S	Sonde de température	1 1/2"
P	Piquage	1 1/2"

Modèle	ØC	ØD	H	R	a	b	c	s1	s2	s3
100	620	510	950	1080	235	315	715	235	475	715

Dimensions (mm)

SYRIUS SOLAR INDUSTRY
15 rue du Perpignan - ZAC Descartes
34880 Laverune - France

+33 (0) 4 67 82 00 18

contact@syrius-solar.fr

SAS with capital of 150 800 € - RCS Montpellier 794 797 753 00041

www.syrius-solar.fr

