

# THERMOSIPHON SOLAR WATER HEATER

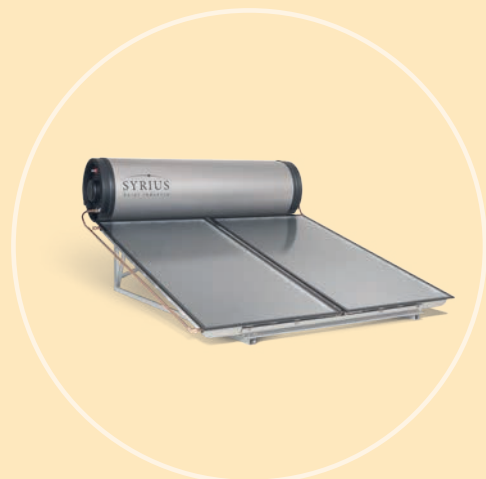
*TS Inox*

---



The solar water heater thermosiphon is composed of one or more solar collectors and a hot water tank positioned horizontally, above the collectors, on the roof. The thermosiphon system doesn't need regulation or pump. The circulation of water is carried out alone, by thermosiphon system: hot water, lighter, rises and is stored in the horizontal tank. Cold water, heavier, goes down at the bottom of the tank and of the collector.

This solar water heater system is ideal for tropical or southern Europe.



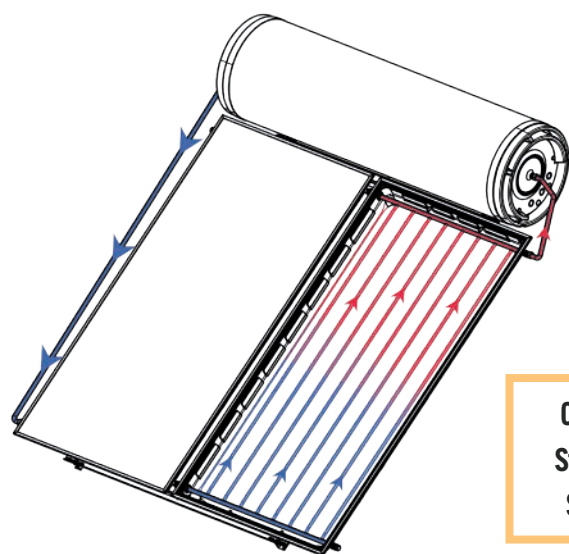
# Set's detail

- Tank with Stainless steel 316L
- Solar collector(s)
- Tank / collectors connection kits (Cu)
- Sheet metal roof support made of Magnelis® steel and stainless steel screws  
(additional terrace support optional)
- Security group
- Fittings and joints



## TS 202 INOX, 304 INOX

Model	TS 202 INOX	TS 304 INOX
<b>Collector Sirius C2000 D12c</b> (cf product sheet for complete technical specifications)		
Dimensions (mm)	2033 x 1015 x 98	
Net weight (kg)	31	
Efficiency $\eta_{0,a}$ absorber area	78.8 %	
Heat loss coefficient a1	3.82 W/(m <sup>2</sup> .K)	
Heat loss coefficient a2	0.016 W <sup>2</sup> /(m <sup>2</sup> .K <sup>2</sup> )	
Covering	Low iron, tempered safety glass 3.2 mm	
Absorber type	Selective aluminum laser welded on Cu tubes	
Gross /net area (m <sup>2</sup> )	2.06 / 1.89	
Quantity	1	2
Total gross area (m <sup>2</sup> )	2	4
<b>Tank</b>		
Capacity (liters)	187	267
Dimensions (mm)	1480 x 550	1975 x 550
Net weight (kg)	44	55
Tank type	Stainless steel 316L	
Insulation	PU injected 45 kg/m <sup>3</sup> - Thickness minimum 50 mm	
Outlets	3/4" M stainless steel 316L	
Optional electric backup	Ceramic steatite 1800 W-230V with thermostat	
<b>Complete System</b>		
Net weight (kg)	91	137
Overall dimensions (mm)	1700 x 2560	2300 x 2560



**Collectors 10 years warranty**  
**Storage Tank 10 years warranty**  
**Supports 10 years warranty**

## Certifications

Certification SolarKeymark system  
N° 23.01.008



EPA's Energy Star Programme



Made in France



**SYRIUS SOLAR INDUSTRY**  
 15 rue du Perpignan - ZAC Descartes  
 34880 Lavérune - France

+33 (0) 4 67 82 00 18  
 contact@syrius-solar.fr

SAS with capital of 150 800 € - RCS Montpellier 794 797 753 00041

[www.syrius-solar.com](http://www.syrius-solar.com)

