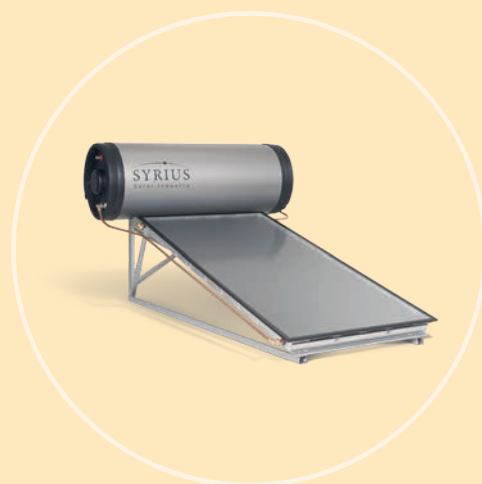


THERMOSIPHON SOLAR WATER HEATER

TS Eco



The solar water heater thermosiphon is composed of one or more solar collectors and a hot water tank positioned horizontally, above the collectors, on the roof. The thermosiphon system doesn't need regulation or pump. The circulation of water is carried out alone, by thermosiphon system: hot water, lighter, rises and is stored in the horizontal tank. Cold water, heavier, goes down at the bottom of the tank and of the collector. This solar water heater system is ideal for tropical or southern Europe.



Set's detail

- Tank with enamelled steel, stainless steel outlets
- Solar collector(s)
- Tank / collectors connection kits (Cu)
- Sheet metal roof support made of Magnelis® steel and stainless steel screws
(additional terrace support optional)
- Security group
- Fittings and joints



TS 202 ECO, 304 ECO

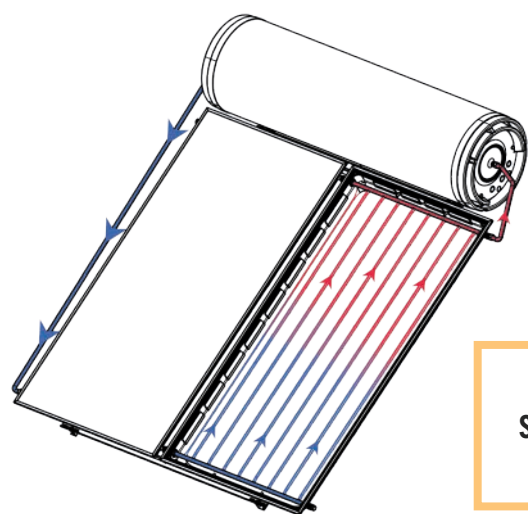
Reference	TS 202 ECO	TS 304 ECO
Collector Sirius C2000 D12c (cf product sheet for complete technical specifications)		
Dimensions (mm)	2033 x 1015 x 98	
Net weight (kg)	31	
Efficiency $\eta_{0,a}$ absorber area	78.8 %	
Heat loss coefficient a1	3.82 W/(m ² .K)	
Heat loss coefficient a2	0.016 W ² /(m ² .K ²)	
Covering	Low iron, tempered safety glass 3.2 mm	
Absorber type	Selective aluminum laser welded on Cu tubes	
Gross /net area (m ²)	2.06 / 1.89	
Quantity	1	2
Total gross area (m ²)	2	4

Tank

Capacity (liters)	185	272
Dimensions (mm)	1480 x 550	1975 x 550
Net weight (kg)	63	84
Tank type	Steel enamelled coating with stainless steel outlets	
Insulation	PU injected 45 kg/m ³ - Thickness minimum 45 mm	
Outlets	¾" M - Stainless steel	
Optional electric backup	Immersion Heaters	

Complete System

Net weight (kg)	110	166
Overall dimensions (mm)	1700 x 2560	2300 x 2560



Collectors 10 years warranty
Storage Tank 5 years warranty
Supports 10 years warranty

Certifications

Certification SolarKeymark system
078/000390



EPA's Energy Star Programme



Made in France



SYRIUS SOLAR INDUSTRY
15 rue du Perpignan - ZAC Descartes
34880 Lavérune - France

+33 (0) 4 67 82 00 18
contact@syrius-solar.fr

SAS with capital of € 156 800 - RCS Montpellier 794 797 753 00041

www.syrius-solar.com

