

BVE-W 160 TO 1000

Single heat exchanger



The BVE-W series tanks are specially designed for primary circuit solar systems. They are equipped with a heat exchanger. The tank and the exchanger are made of enamelled steel. The heat exchanger connections are located on the side at the rear of the tank, separately from the cold water inlet and hot water outlet located on the front panel. These tanks are to be placed on the ground.



Description

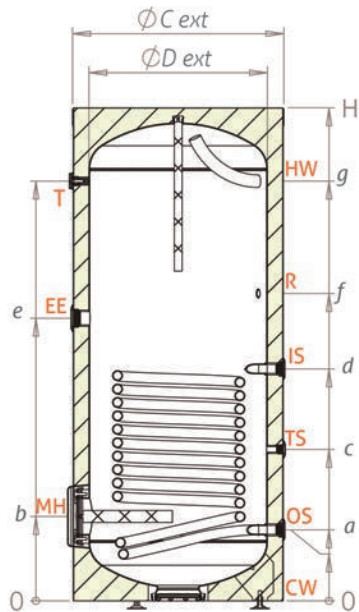
- Enamelled steel sanitary hot water storage tank*, equipped with one heat exchanger.
 - Tank enamelling inside treatment according to DIN 4753-3 and UNI 10025. Protection by 2 magnesium anodes.
 - Rigid PU insulation 50 to 70 mm thick, zipped PVC cover finish
 - Optional electric back-up on 1 1/2" connection above the heat exchanger.
 - External casing classified as standard M3 fire.
 - 5 years warranty, electric part 2 years warranty.
- * Sanitary water according to French sanitary regulations and in particular with DTU 60.1



BVE-W 160 to 1000 liters

	Model 160 L	200 L	300 L	400 L	500 L	800 L	1000 L
Reference	BVE0160W	BVE0200W	BVE0300W	BVE0400W	BVE0500W	BVE0800W	BVE1000W
Total capacity (liters)	155	191	289	386	452	776	968
Weight empty (kg)	68	78	109	127	147	223	264
Rigid PU insulation ejected (mm)	50	50	50	50	50	70	70
Heat exchanger surface (m ²)	0.85	0.95	1.48	1.65	2.06	2.69	3.18
Heat exchanger capacity (L)	5.10	5.74	8.93	10.21	12.44	22.28	26
Heat exchanger output* (60-80°C) (kW)	26	32	36	45	52	62	78
Heat exchanger continuous flow rate* (60-80°C) (L/h)	639	786	885	1106	1278	1523	1917
Heat loss ΔT 45K (kWh/24h)	1.4	1.5	1.7	2.2	2.5	3.2	3.5
Energy efficiency class	B	B	B	C	C	C	C
Maximum tank / heat exchanger working-temperature (°C)	95	95	95	95	95	95	95
Max tank operating pressure (bar)	10	10	10	10	10	8	8
Max working heat exchanger pressure (bar)	6	6	6	6	6	6	6

* Inlet and outlet temperature of the heat transfer fluid



Model	ØC	ØD	H	a	b	c	d	e	f	g
160	600	500	1035	242	287	422	602	605	652	787
200	600	500	1230	242	287	445	647	735	694	982
300	600	500	1760	242	287	557	872	1088	1012	1512
400	700	600	1655	238	283	508	778	1018	858	1408
500	700	600	1900	238	283	576	913	1184	993	1658
800	990	850	1770	331	459	634	936	1025	994	1372
1000	990	850	2100	331	459	689	1046	1262	1154	1727

Dimensions (mm)

	Model	
	Outlet/Inlet tube 160-500	800-1000
MH	Manhole	Ø180 Ø300
CW	Cold water inlet	1" F 1 1/2" F
HW	Hot water outlet	1" F 1 1/2" F
OS	Lower HE outlet	1" F 1 1/2" F
IS	Lower HE inlet	1" F 1 1/2" F
TS	Sensor pocket	1/2" F
EE	Electric element	1 1/2" F
R	Recirculation	3/4" F
T	Thermometer	1/2" F

Storage tank 5 years warranty

Certifications

Tank enamelling inside treatment according to DIN 4753-3 and UNI 10025
Made in European Union



SYRIUS SOLAR INDUSTRY
15 rue du Perpignan - ZAC Descartes
34880 Lavérune - France

+33 (0) 4 67 82 00 18
contact@syrius-solar.fr

SAS with capital of € 156 800 - RCS Montpellier 794 797 753 00041

www.syrius-solar.com

