

# BVE-WW 1500 TO 2000

*Double heat exchanger*



The BVE-WW series tanks are specially designed for primary circuit solar systems. They are equipped with two heat exchangers.

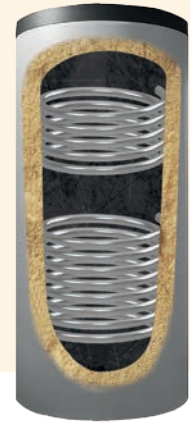
The tank and the heat exchangers are made of enamelled steel. These tanks are to be placed on the ground, and are generally used in combination with solar production (on the bottom heat exchanger) and back-up by a boiler or heat pump (on the top heat exchanger).



# Description

- Enamelled steel sanitary hot water storage tank\*, equipped with two heat exchangers.
- Tank enamelling inside treatment according to DIN 4753-3 and UNI 10025. Protection by magnesium anodes.
- Polyester fiber insulation 100 mm thick, zipped PVC cover finish.
- Optional electric back-up on 1 1/2" connection above the heat exchanger.
- External casing classified as standard M1 fire.
- 5 years warranty, electric part 2 years warranty.

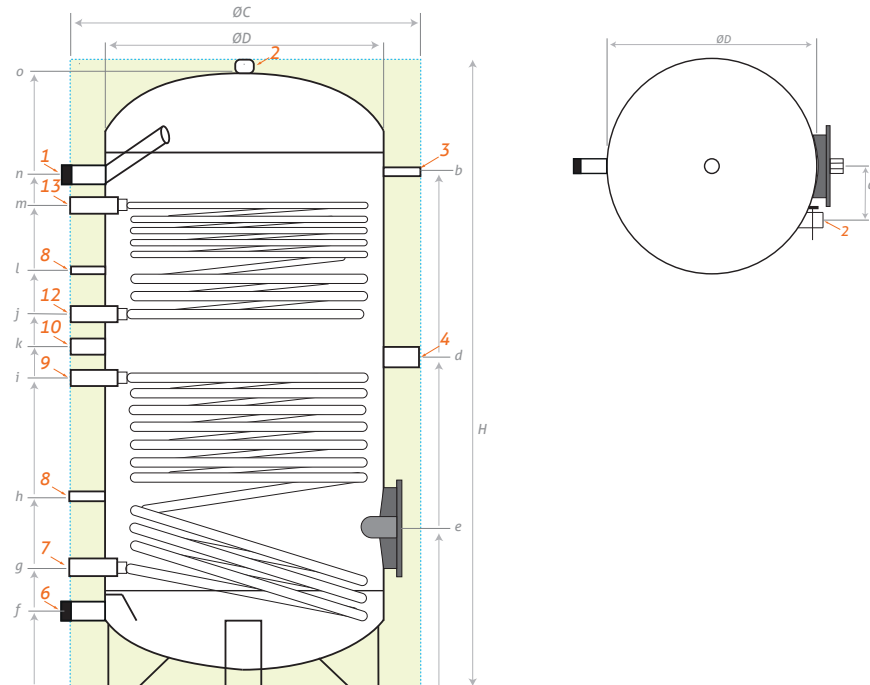
\* Sanitary water in compliance with French sanitary regulations particularly DTU 60.1



## BVE-WW 1500 to 2000 liters

Model	1500 L	2000 L
<b>Reference</b>	<b>BVE1500WW</b>	<b>BVE2000WW</b>
Total capacity (liters)	1390	1950
Weight empty (kg)	350	542
Polyester fiber insulation (mm)	100	
Heat exchanger surface S1/S2 (m <sup>2</sup> )	3.4 / 1.8	4.6 / 2.8
Heat exchanger volume S1/S2 (L)	19.5 / 10.4	28.1 / 16.9
Heat exchanger power S1/S2 (kW) at *60-80°C	88 / 47	120 / 73
Rate of flow heat-exchanger S1/S2 (m <sup>3</sup> /h)	3.8 / 2.0	5.2 / 3.1
Domestic hot water production S1/S2 at *60-80°C (m <sup>3</sup> /h)	2.2 / 1.2	2.9 / 1.8
Pressure loss S1/S2 (mbar)	499 / 80	1019 / 233
Flange (Ø mm)	290 / 220	
Energy efficiency class	C	
Maximum working-temperature (°C)	95	
Max tank operating pressure (bar)	8	
Max working heat exchanger pressure (bar)	10	

\* Inlet and outlet temperature of the heat transfer fluid



Model	ØC	ØD	H	b	d	e	f	g	h	i	j	k	l	m	n	o	q
1500	1200	1000	2185	1820	1230	515	280	415	525	1125	1315	1220	1410	1720	1870	2120	230
2000	1300	1100	2470	2000	1340	550	260	400	660	1205	1425	1315	1485	1870	1990	2405	230

Dimensions (mm)

Outlet/Inlet tube	Model
1 Hot Water outlet	1 1/2"
2 Anode	1 1/2"
3 Probes	1/2"
4 Electric element	1 1/2"
6 Cold Water inlet	1 1/2"
7 Heat exchanger outlet S1	1 1/4"
8 Thermostat	1/2"
9 Heat exchanger inlet S1	1 1/4"
10 Recirculation	1"
12 Heat exchanger outlet S2	1 1/4"
13 Heat exchanger inlet S2	1 1/4"

**Storage tank 5 years warranty**

## Certifications

Tank enamelling inside treatment according to DIN 4753-3 and UNI 10025  
Made in European Union



**SYRIUS SOLAR INDUSTRY**  
15 rue du Perpignan - ZAC Descartes  
34880 Lavérune - France

+33 (0) 4 67 82 00 18  
contact@syrius-solar.fr

SAS with capital of € 156 800 - RCS Montpellier 794 797 753 00041

[www.syrius-solar.com](http://www.syrius-solar.com)

