

BT-AC 160 TO 1000



The buffer tank is used to store thermal energy in a heating system.

These tanks are made up of a black steel tank, suitable for the storage of heating water, but not suitable for the storage of domestic hot water.



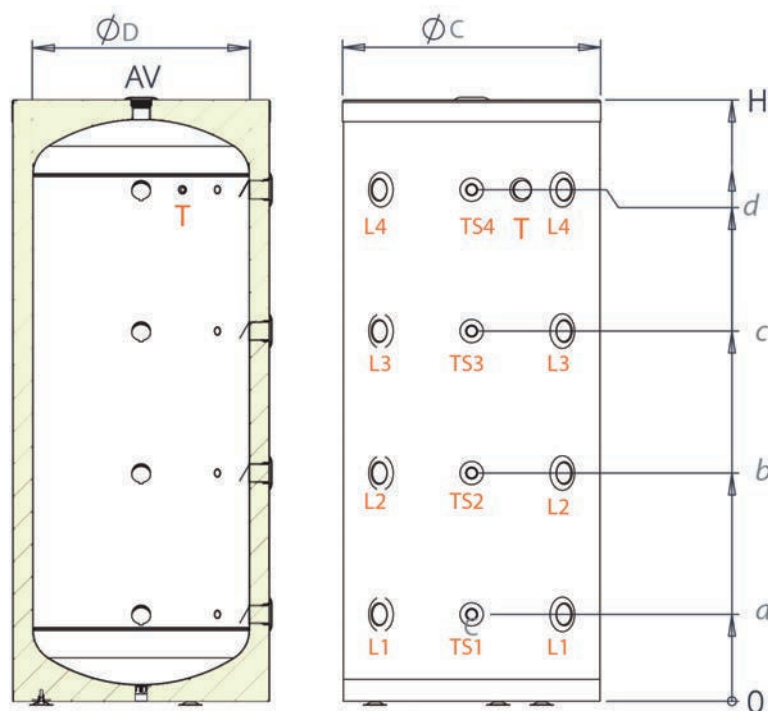
Description

- Buffer tank for air conditioning and heating system, without heat exchanger.
- Rigid PU insulation 50 to 70 mm thick, zipped PVC cover finish.
- External casing classified as standard M3 fire.
- 2 years warranty.

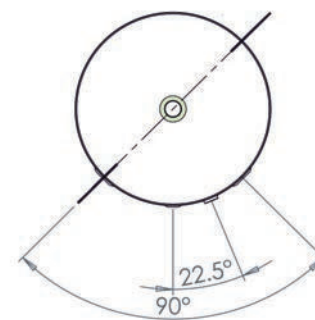


BT-AC 160, 200, 300, 400, 500, 800, and 1000 liters

| | Model | 160 L | 200 L | 300 L | 400 L | 500 L | 800 L | 1000 L |
|------------------------------------|-------|----------|----------|----------|----------|----------|----------|----------|
| Reference | | BT0160AC | BT0200AC | BT0300AC | BT0400AC | BT0500AC | BT0800AC | BT1000AC |
| Total capacity (liters) | | 162 | 200 | 302 | 401 | 470 | 805 | 1005 |
| Weight empty (kg) | | 42 | 48 | 63 | 76 | 106 | 134 | 153 |
| Rigid PU insulation (mm) | | 50 | 50 | 50 | 50 | 50 | 70 | 70 |
| Heat loss ΔT 45K (kWh/24h) | | 1.4 | 1.5 | 1.7 | 2.2 | 2.5 | 3.2 | 3.5 |
| Energy efficiency class | | B | B | B | C | C | C | C |
| Maximum working-temperature (°C) | | 95 | 95 | 95 | 95 | 95 | 95 | 95 |
| Max tank operating pressure (bar) | | 3 | 3 | 3 | 3 | 3 | 3 | 3 |



| | Outlet/Inlet tube | Model |
|----------|-------------------|-------|
| AV | Air ventilation | 1"½ F |
| TS.1.2.3 | Sensor Level | ½" F |
| T | Thermometer | ½" F |
| L1.2.3.4 | Inlet / Outlet | 1"½ F |



| Model | ØC | ØD | H | a | b | c | d |
|-------|-----|-----|------|-----|-----|------|------|
| 160 | 600 | 500 | 1035 | 243 | 424 | 605 | 786 |
| 200 | 600 | 500 | 1230 | 243 | 489 | 735 | 981 |
| 300 | 600 | 500 | 1760 | 243 | 666 | 1088 | 1511 |
| 400 | 700 | 600 | 1655 | 239 | 628 | 1018 | 1407 |
| 500 | 700 | 600 | 1900 | 239 | 712 | 1184 | 1656 |
| 800 | 990 | 850 | 1770 | 331 | 678 | 1025 | 1372 |
| 1000 | 990 | 850 | 2100 | 331 | 797 | 1262 | 1727 |

Dimensions (mm)

Buffer tank 2 years warranty

Certifications

Made in European Union



SYRIUS SOLAR INDUSTRY
15 rue du Perpignan - ZAC Descartes
34880 Lavérune - France

+33 (0) 4 67 82 00 18
contact@syrius-solar.fr

SAS with capital of € 156 800 - RCS Montpellier 794 797 753 00041

www.syrius-solar.com

