

# BT-AC 1500 TO 2000

---



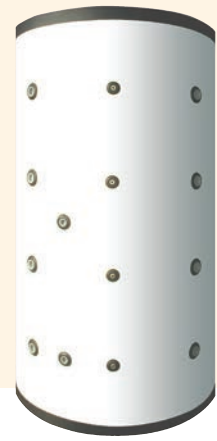
The buffer tank is used to store thermal energy in a heating system.

These tanks are made up of a black steel tank, suitable for the storage of heating water, but not suitable for the storage of domestic hot water.



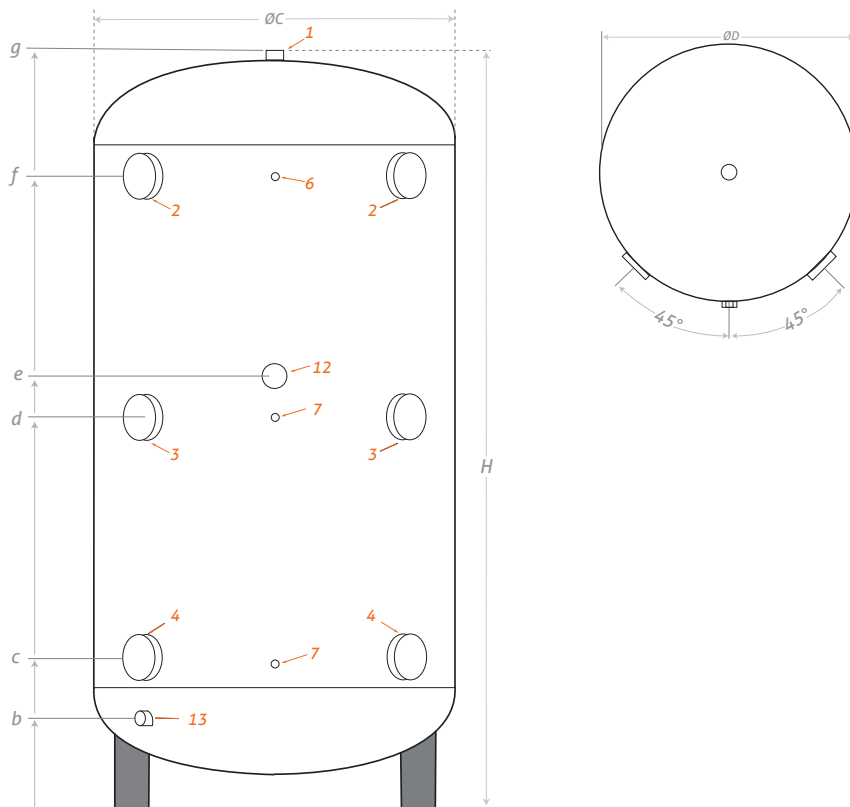
# Description

- Buffer tank for air conditioning and heating system, without heat exchanger.
- PEXL insulation 30mm thick, untreated interior.
- External casing classified as standard M1 fire.
- 2 years warranty.



## BT-AC 1500 and 2000 liters

Model	1500 L	2000 L
<b>Reference</b>	<b>BT1500AC</b>	<b>BT2000AC</b>
Total capacity (liters)	1420	2013
Weight empty (kg)	240	330
PEXL insulation (mm)		30
Heat loss $\Delta T$ 45K (kWh / 24h)	17.42	21.91
Energy efficiency class		NA
Maximum working-temperature (°C)		95
Max heating operating pressure (bar)		6
Outlets for temperature probes / thermometer		3



Outlet/Inlet tube	Model
	<b>1500-2000</b>
1 Air evacuation	1"1/4
2 Boiler inlet	4"
3 Heating inlet	4"
4 Boiler outlet - heating at 50°C	4"
6 Thermometer	1/2"
7 Probes	1/2"
12 Electric element	2"
13 Drain	1"

Model	øC	øD	H	b	c	d	e	f	g
1500	1060	1000	2090	250	415	1080	1180	1745	2090
2000	1160	1100	2405	250	415	1230	1330	2045	2405

Dimensions (mm)

**Buffer tank 2 years warranty**

## Certifications

Made in European Union



**SYRIUS SOLAR INDUSTRY**  
15 rue du Perpignan - ZAC Descartes  
34880 Lavérune - France

+33 (0) 4 67 82 00 18  
contact@syrius-solar.fr

SAS with capital of € 156 800 - RCS Montpellier 794 797 753 00041

[www.syrius-solar.com](http://www.syrius-solar.com)

