

BVE-WWS 200 TO 500

Double heat exchanger



The BVE-WWS series tanks are mainly used for the composition of a ISWH's set. The solar pump and the expansion tank are mounted directly on the storage tank in the factory. All that remains to be done is to connect the collectors, hot and cold water to the storage tank, which makes installation easier. The tank and heat exchanger are made of enamelled steel. These tanks are to be placed on the ground.



Description

- Enamelled steel sanitary hot water storage tank*, equipped with two heat exchangers
- Tank enamelling inside treatment according to DIN 4753-3 and UNI 10025. Protection by magnesium anode
- Rigid PU insulation 50 mm thick, zipped PVC cover finish
- Optional electric back-up on 1 1/2" connection at mid-height
- External casing classified as standard M1 fire
- 5 years warranty, electric part 2 years warranty

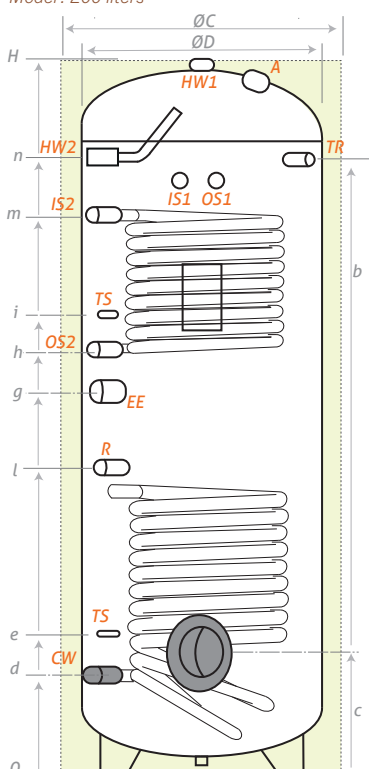
* Sanitary water meeting the French standard according to decree N° 89-3 of 03/01/89



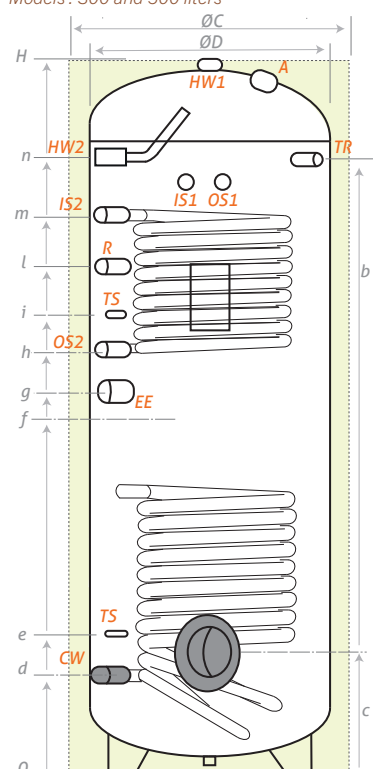
BVE-WWS 200 to 500 liters

	Model	200 L	300 L	500 L
Reference		BVE0200WWS	BVE0300WWS	BVE0500WWS
Total capacity (liters)		196	273	475
Weight empty (kg)		86	115	155
Rigid PU insulation (mm)			50	
Heat exchanger surface S1/S2 (m ²)		1.0 / 0.7	1.1 / 0.9	1.8 / 1.3
Heat exchanger volume S1/S2 (L)		5.8 / 4.0	7.8 / 5.3	10.7 / 7.5
Heat exchanger power S1/S2 (kW)		24 / 17	26 / 22	45 / 33
Rate of flow heat exchanger S1/S2 (m ³ /h)		1.0 / 0.7	1.1 / 0.9	1.9 / 1.4
Pressure loss S1/S2 (mbar)		16 / 5	19 / 10	56 / 29
Energy efficiency class			C	
Maximum working-temperature (°C)			95	
Max tank operating pressure (bar)			10	
Max working heat exchanger pressure (bar)			10	
Outlets for temperature probes			3	

Model : 200 liters



Models : 300 and 500 liters



Model	ØC	ØD	H	b	c	d	e	g	h	i	l	m	n
200	600	500	1215	1070	295	220	310	705	845	915	585	985	1070
300	600	500	1615	1390	330	220	310	860	965	1035	1145	1305	1390
500	750	650	1705	1415	410	265	355	895	990	1060	1170	1330	1415

Dimensions (mm)

Outlet/Inlet tube	Model	200 to 500
CW	Cold water inlet	1"
HW1	Hot water outlet	1" 1/4
HW2	Hot water outlet	1"
IS	Pump unit inlet	3/4" M
OS	Pump unit outlet	3/4" M
TS	Temperature probes	Ø10
A	Anode	1" 1/4
R	Recirculation	3/4"
EE	Electric element	1" 1/2
TR	Temperature probes	1/2"

Storage tank 5 years warranty

Certifications

Tank enamelling inside treatment according to DIN 4753-3 and UNI 10025
Made in European Union



SYRIUS SOLAR INDUSTRY
15 rue du Perpignan - ZAC Descartes
34880 Lavérune - France

(+33) 4 67 82 00 18

contact@syrius-solar.fr

SAS with capital of € 156 800 - RCS Montpellier 794 797 753 00041

www.syrius-solar.com

