

BVE-WWDB 200 TO 300

Double heat exchanger
Compacts self-draining



The BVE-WWDB series storage tanks are mainly used for the composition of a ISWH Drain Back kit. The regulator and the pump are integrated directly into the tank. All that remains is to connect the collectors, the hot and cold water to the tank, which facilitates installation. The tank and the heat exchanger are made of enamelled steel. These storage tanks are to be placed on the ground.



Description

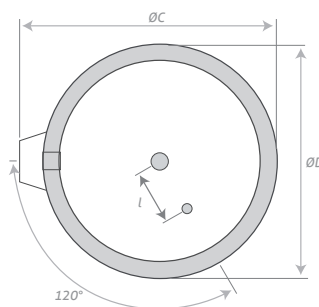
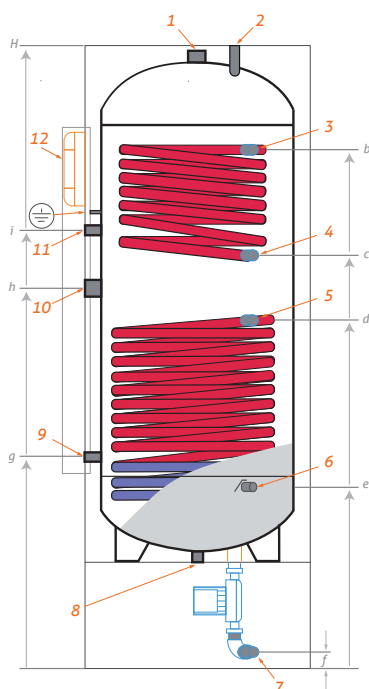
- Enamelled steel sanitary hot water storage tank*, equipped with two heat exchangers.
- Tank enamelling inside treatment according to DIN 4753-3 and UNI 10025. Protection by magnesium anode.
- Rigid PU insulation injected from 30 to 45 mm thick, zipped PVC cover finish.
- Optional electric back-up on 1"¼ connection at mid-height.
- External casing classified as standard M1 fire.
- 5 years warranty, electric part 2 years warranty.

* Sanitary water meeting the French standard according to decree N° 89-3 of 03/01/89



BVE-WWDB 200 to 300 liters

| Model | 200 L | 300 L |
|---|--------------------|--------------------|
| Reference | BVE0200WWDB | BVE0300WWDB |
| Total capacity (liters) | 196 | 273 |
| Weight empty (kg) | 130 | 170 |
| Rigid PU insulation (mm) | 30 | 45 |
| Heat exchanger surface S1/S2 (m ²) | 1.4 / 0.8 | 1.8 / 0.9 |
| Heat exchanger volume S1/S2 (L) | 8.6 / 4.5 | 10.9 / 4.9 |
| Heat exchanger power S1/S2 (kW) | 34 / 10 | 40 / 25 |
| Rate of flow heat-exchanger S1/S2 (m ³ /h) | 1.5 / 0.5 | 1.7 / 1.0 |
| Pressure loss S1/S2 (mbar) | 38 / 8 | 56 / 13 |
| Energy efficiency class | C | |
| Maximum working-temperature (°C) | 95 | |
| Max tank operating pressure (bar) | 10 | |
| Max working heat exchanger pressure (bar) | 10 | |
| Outlets for temperature probes | 2 | |



| Outlet/Inlet tube | Model 200-300 |
|-------------------------|---------------|
| 1 Anode | 1" ¼ |
| 2 Hot water outlet | ½" |
| 3 Heat exchanger inlet | ¾" |
| 4 Heat exchanger outlet | ¾" |
| 5 Heat exchanger inlet | ¾" |
| 6 Cold water inlet | ½" |
| 7 Heat exchanger outlet | ¾" |
| 8 Drain | ½" |
| 9 Temperature probe | Ø10 |
| 10 Electric element | 1" ¼ |
| 11 Temperature probe | Ø10 |
| 12 Regulator | - |

Storage tank 5 years warranty

Certifications

Tank enamelling inside treatment according to DIN 4753-3 and UNI 10025
Made in European Union



| Model | ØC | ØD | H | b | c | d | e | f | g | h | i | L |
|-------|-----|-----|------|------|------|------|-----|----|-----|------|------|-----|
| 200 | 625 | 560 | 1530 | 1290 | 1130 | 1000 | 520 | 55 | 530 | 1060 | 1120 | 145 |
| 300 | 705 | 640 | 1730 | 1435 | 1135 | 990 | 545 | 55 | 560 | 1065 | 1205 | 150 |

Dimensions (mm)

SYRIUS SOLAR INDUSTRY

15 rue du Perpignan - ZAC Descartes
34880 Lavérune - France

(+33) 4 67 82 00 18

contact@syrius-solar.fr

SAS with capital of € 156 800 - RCS Montpellier 794 797 753 00041

www.syrius-solar.com

