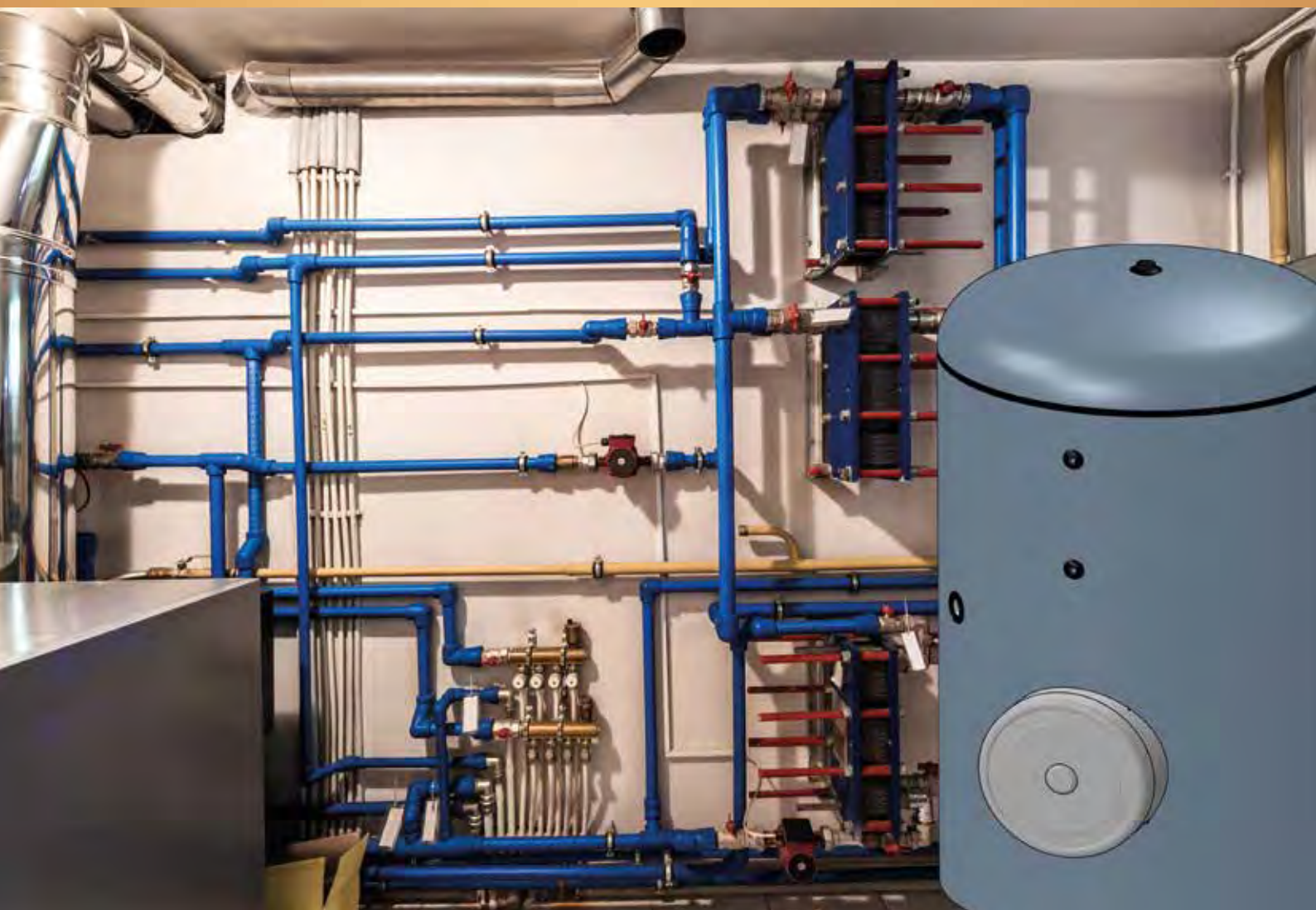


BVE-WW 2500 TO 3000

Double heat exchanger



The BVE-WW series tanks are specially designed for primary circuit solar systems. They are equipped with two heat exchangers.

The tank and the heat exchangers are made of enamelled steel. These tanks are to be placed on the ground, and are generally used in combination with solar production (on the bottom heat exchanger) and back-up by a boiler or heat pump (on the top heat exchanger).



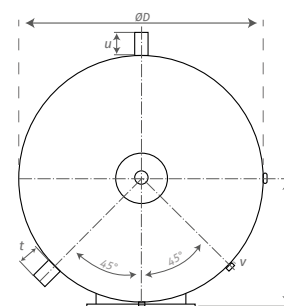
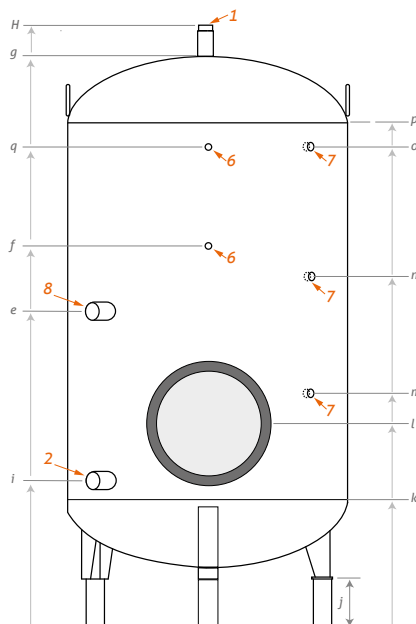
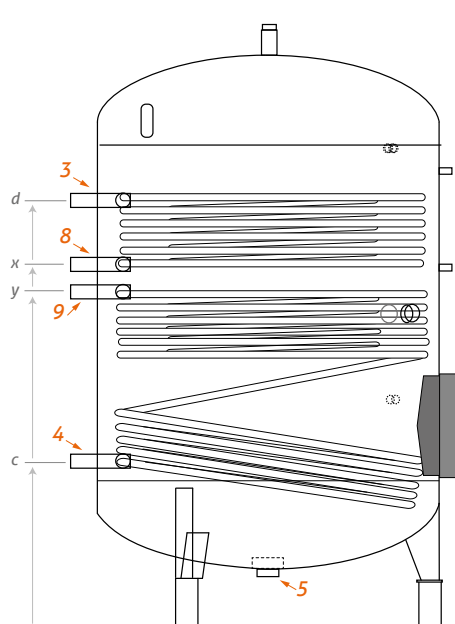
Description

- Enamelled steel sanitary hot water storage tank *, with two heat exchangers.
 - Tank enamelling inside treatment according to DIN 4753-3. Protection by magnesium anodes.
 - 100 mm thick mineral wool insulation, PVC cover finish, removable.
 - Inspection flange Ø 406 mm.
 - Electric backup with armoured elements 9, 15 or 30kW on flange.
 - External casing classified as standard M1 fire.
 - M0 on request.
 - 5 years warranty, electric part 2 years warranty.
- * Sanitary water meeting the French standard according to decree N° 89-3 of 03/01/89



BVE-WW 2500 to 3000 liters

Model	2500 L	3000 L
Reference	BVE2500WW	BVE3000WW
Total capacity (liters)	2481	2677
Weight empty (kg)	680	700
Mineral wool insulation (mm)	100	
Heat exchanger surface S1/S2 (m ²)	4.8 / 2.4	
Maximum working-temperature (°C)	99	
Max tank operating pressure (bar)	7	
Outlets for temperature probes	2	



Outlet/Inlet tube	Model
1	Hot water outlet 2"
2	Cold Water inlet 2"
3.9	Heat exchanger outlet 1 1/2"
4.8	Heat exchanger inlet 1 1/2"
5	Drain 2"
6	Probes 1/2"
7	Anode 3/4"
8	Recirculation 1 1/2"

Storage tank 5 years warranty

Certifications

Tank enamelling inside treatment according to DIN 4753-3
Made in France



Model	ØC	ØD	H	b	c	d	e	f	g	i	j	k	l	m	n	o
2500	1500	1400	2242	212	648	1687	1180	1350	2133	NC	200	580	NC	900	1208	1730
3000	1500	1400	2372	212	650	1689	1250	1430	2262	NC	200	580	883	900	1208	1808

Model	p	q	r	t	u	v	x	y
2500	1778	1680	730	-	100	20	1432	1330
3000	1907	1808	730	50	100	20	1434	1332

Dimensions (mm)

SYRIUS SOLAR INDUSTRY
15 rue du Perpignan - ZAC Descartes
34880 Lavérune - France

+33 (0) 4 67 82 00 18
contact@syrius-solar.fr

SAS with capital of € 156 800 - RCS Montpellier 794 797 753 00041

www.syrius-solar.com

