

BVE-WW 160 TO 500

Double heat exchanger



The BVE-WW series tanks are specially designed for primary circuit solar systems. They are equipped with two heat exchangers.

The tank and the heat exchangers are made of enamelled steel. These tanks are to be placed on the ground, and are generally used in combination with solar production (on the bottom heat exchanger) and back-up by a boiler or heat pump (on the top heat exchanger).



Description

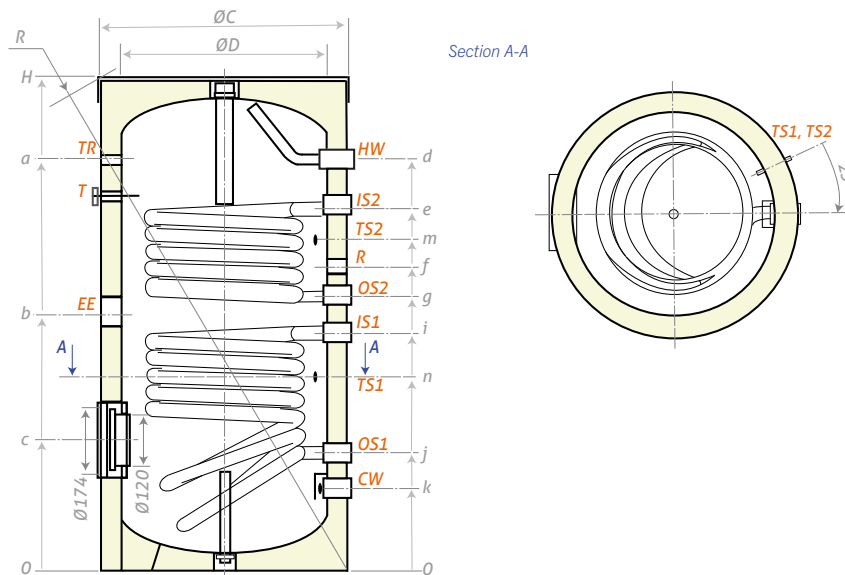
- Enamelled steel sanitary hot water storage tank*, equipped with two heat exchangers.
- Tank enamelling inside treatment according to DIN 4753-3 and UNI 10025. Protection by 2 magnesium anodes.
- Rigid PU insulation 50 mm thick, zipped PVC cover finish.
- Optional electric back-up on 1 1/2" connection above the heat exchanger.
- External casing classified as standard M3 fire.
- M1 or M0 on request.
- 5 years warranty, electric part 2 years warranty.

* Sanitary water meeting the French standard according to decree N° 89-3 of 03/01/89



BVE-WW 160 to 500 liters

	Model	160 L	200 L	300 L	400 L	500 L
Reference		BVE0160WW	BVE0200WW	BVE0300WW	BVE0400WW	BVE0500WW
Total capacity (liters)		154	192	279	388	472
Weight empty (kg)		66	70	100	146	158
Rigid PU insulation (mm)		50				
Heat exchanger surface S1/S2 (m ²)		0.61 / 0.43	0.75 / 0.54	1.21 / 0.85	1.65 / 0.76	2.25 / 1.06
Heat exchanger volume S1/S2 (L)		3.6 / 2.6	4.6 / 3.3	7.4 / 5.2	10.0 / 4.6	13.7 / 6.4
Heat exchanger power S1/S2 (kW) at *60-80°C		17.1 / 10.2	20.0 / 12.9	33.4 / 19.1	47.5 / 19.0	73.8 / 30.6
Continuous flow rate of DHW at ΔT 35° (S1/S2) at *60-80°C (L/h)		430.3 / 256.3	496 / 316	798 / 469	1172 / 467.3	1817 / 750
Heat loss ΔT 45K (W)		51	59	68	91	95
Energy efficiency class		B	B	B	C	C
Maximum tank / heat exchanger working-temperature (°C)		95 / 110				
Max tank operating pressure (bar)		8				
Max working heat exchanger pressure (bar)		6				
Outlets for temperature probes		2				



Outlet/Inlet tube	Model	160 to 500
CW	Cold Water inlet	1" F
HW	Hot Water outlet	1" F
IS1	Heat exchanger inlet	1" F
OS1	Heat exchanger outlet	1" F
IS2	Heat exchanger inlet	1" F
OS2	Heat exchanger outlet	1" F
TS1	Temperature probes	1/2" F
TS2	Temperature probes	1/2" F
R	Recirculation	3/4" F
EE	Electric element	1 1/2" F
T	Thermometer	Ø14x1.5
TR	Regulation probe	1/2" F

Storage tank 5 years warranty

Certifications

Tank enamelling inside treatment according to DIN 4753-3 and UNI 10025
Made in European Union



Model	ØC	ØD	H	a	b	c	d	e	f	g	i	j	k	m	n	R
160	600	500	1007	785	519	279	788	741	-	569	475	204	204	-	349	649
200	600	500	1200	993	628	314	993	886	746	671	585	284	199	815	478	1345
300	650	550	1420	1207	760	314	1207	1104	903	803	718	288	203	996	610	1563
400	750	650	1407	1156	813	331	1156	1073	943	858	775	302	220	998	617	1596
500	750	650	1674	1448	986	324	1448	1330	1165	1029	944	299	214	1265	750	1838

Dimensions (mm)

* Inlet and outlet temperature of the heat transfer fluid

SYRIUS SOLAR INDUSTRY
15 rue du Perpignan - ZAC Descartes
34880 Lavérune - France

+33 (0) 4 67 82 00 18
contact@syrius-solar.fr

SAS with capital of € 156 800 - RCS Montpellier 794 797 753 00041

www.syrius-solar.com

