

BVE-W 2500 TO 3000

Single heat exchanger



The BVE-W series tanks are specially designed for primary circuit solar systems. They are equipped with a heat exchanger.

The tank is made of enamelled steel. It allows the production of DHW by means of a heat exchanger connected to different caloric sources such as solar energy or traditional boilers.

These tanks are placed on the ground.



Description

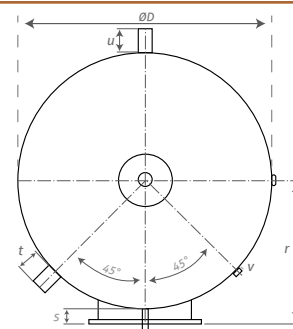
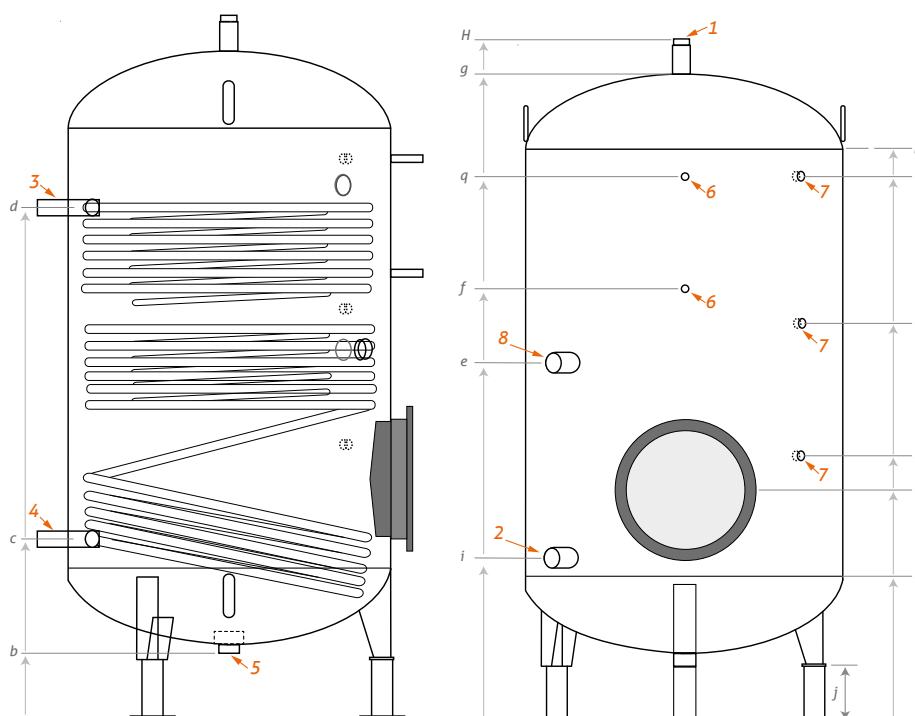
- Sanitary hot water storage tank* in enamelled steel, with one heat exchanger.
- Tank enamelling inside treatment according to DIN 4753-3.
- Protection by magnesium anodes
- 100 mm thick mineral wool insulation, PVC cover finish, removable.
- Inspection flange Ø 404 mm.
- Electric backup with armoured elements 9, 15 or 30kW on flange.
- External casing classified as standard M1 fire.
- MO on request.
- 5 years warranty, electric part 2 years warranty.

* Sanitary water meeting the French standard according to decree N° 89-3 of 03/01/89



BVE-W 2500 to 3000 liters

	Model	2500 L	3000 L
Reference		BVE2500W	BVE3000W
Total capacity (liters)		2485	2681
Weight empty (kg)		680	700
Mineral wool insulation (mm)			100
Heat exchanger surface (m ²)			7
Maximum working-temperature (°C)			99
Max tank operating pressure (bar)			7
Outlets for temperature probes			2



Outlet/Inlet tube	Model	2500-3000
1	Hot Water outlet	2"
2	Cold Water inlet	2"
3	Heat exchanger outlet	1"½
4	Heat exchanger inlet	1"½
5	Drain	2"
6	Probes	1/2"
7	Anode	3/4"
8	Recirculation	1"½

Storage tank 5 years warranty

Certifications

Tank enamelling inside treatment according to DIN 4753-3
Made in France



Model	ØC	ØD	H	b	c	d	e	f	g	i	j	k	l	m	n	o
2500	1500	1400	2243	212	650	1587	1180	1350	2133	NC	200	580	883	900	1208	1730
3000	1500	1400	2372	212	650	1587	1250	1430	2262	NC	200	NC	883	NC	NC	NC

Model	p	q	r	s	t	u	v
2500	1778	1680	730	16	NC	100	20
3000	NC	1808	730	16	50	100	20

Dimensions (mm)

SYRIUS SOLAR INDUSTRY
15 rue du Perpignan - ZAC Descartes
34880 Lavérune - France

+33 (0) 4 67 82 00 18
contact@syrius-solar.fr

SAS with capital of € 156 800 - RCS Montpellier 794 797 753 00041

www.syrius-solar.com

