

BVE-W 160 TO 500

Single heat exchanger



The BVE-W series tanks are specially designed for primary circuit solar systems. They are equipped with a heat exchanger. The tank and the exchanger are made of enamelled steel. The heat exchanger connections are located on the side at the rear of the tank, separately from the cold water inlet and hot water outlet located on the front panel. These tanks are to be placed on the ground.



Description

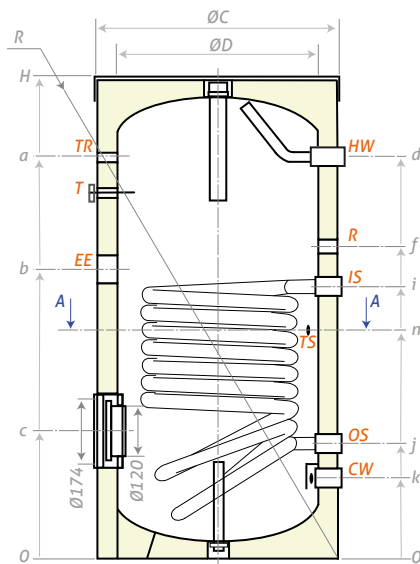
- Enamelled steel sanitary hot water storage tank*, equipped with one heat exchanger.
- Tank enamelling inside treatment according to DIN 4753-3 and UNI 10025. Protection by 2 magnesium anodes.
- Rigid PU insulation 50 mm thick, zipped PVC cover finish
- Optional electric back-up on 1 1/2" connection above the heat exchanger.
- External casing classified as standard M3 fire.
- M1 or M0 on request.
- 5 years warranty, electric part 2 years warranty.

* Sanitary water meeting the French standard according to decree N° 89-3 of 03/01/89

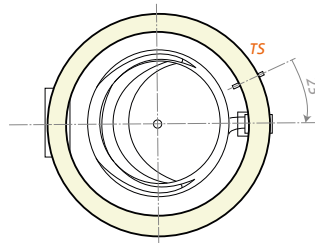


BVE-W 160 to 500 liters

	Model	160 L	200 L	300 L	400 L	500 L
Reference		BVE0160W	BVE0200W	BVE0300W	BVE0400W	BVE0500W
Total capacity (liters)		155	195	283	394	480
Weight empty (kg)		54	65	92	137	145
Rigid PU insulation (mm)		50				
Heat exchanger surface (m ²)		0.96	0.96	1.45	1.65	2.25
Heat exchanger volume (L)		5.8	5.8	8.8	10	13.7
Heat exchanger power (kW) at *60-80°C		28.2	26.2	41.3	48.8	78
Continuous flow rate of DHW at ΔT 35° at *60-80°C (L/h)		697	657	1024.3	1203.4	1913
Heat loss ΔT 45K (W)		51	52	68	91	95
Energy efficiency class		B	B	B	C	C
Maximum tank / heat exchanger working-temperature (°C)		95 / 110				
Max tank operating pressure (bar)		8				
Max working heat exchanger pressure (bar)		6				
Outlet for temperature probe		1				



Section A-A



	Model
Outlet/Inlet tube	160 to 500
CW Cold Water inlet	1"
HW Hot Water outlet	1"
IS Heat exchanger inlet	1"
OS Heat exchanger outlet	1"
TS Temperature probes	1/2"
R Recirculation	3/4"
EE Electric element	1 1/2"
T Thermometer	Ø14x1.5
TR Temperature probes	1/2"

Storage tank 5 years warranty

Certifications

Tank enamelling inside treatment according to DIN 4753-3 and UNI 10025
Made in European Union



Model	ØC	ØD	H	a	b	c	d	f	i	j	k	n	R
160	600	500	1007	785	-	314	785	602	671	284	200	360	1169
200	600	500	1200	993	714	314	993	771	671	284	199	564	1345
300	650	550	1420	1207	846	314	1207	1010	804	288	203	653	1563
400	750	650	1407	1156	813	331	1156	945	775	302	220	617	1596
500	750	650	1674	1448	986	324	1448	1199	944	299	214	750	1838

Dimensions (mm)

* Inlet and outlet temperature of the heat transfer fluid

SYRIUS SOLAR INDUSTRY
15 rue du Perpignan - ZAC Descartes
34880 Lavérune - France

+33 (0) 4 67 82 00 18
contact@syrius-solar.fr

SAS with capital of € 156 800 - RCS Montpellier 794 797 753 00041

www.syrius-solar.com

