

BVE-LWW 800 TO 2000

Double heat exchanger - Large area for HP



The BVE-LWW series tanks are specially designed for primary circuit solar systems.

They are also equipped with a large surface heat exchanger (top) suitable for heat pump applications.

The tank and the heat exchangers are made of enamelled steel.

These tanks are to be placed on the ground.



Description

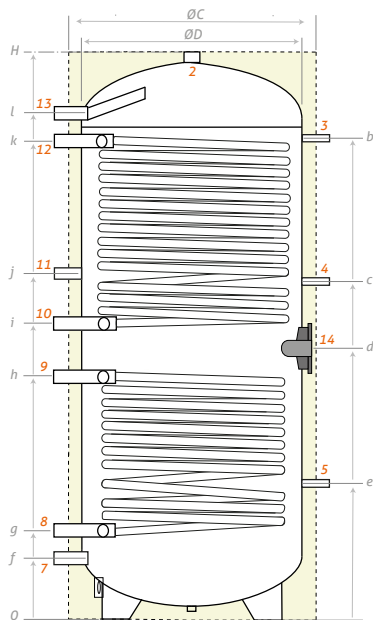


- Enamelled steel sanitary hot water storage tank*, equipped with two heat exchangers with a large area.
- Tank enamelling inside treatment according to DIN 4753-3 and UNI 10025. Protection by magnesium anode.
- Polyester fiber insulation 100 mm thick, PVC cover finish, removable.
- Optional electric back-up on 1 1/2" connection above the heat exchanger.
- External casing classified as standard M1 fire.
- 3 years warranty, electric part 2 years warranty.

* Sanitary water meeting the French standard according to decree N° 89-3 of 03/01/89

BVE-LWW 800, 1000, 1500 and 2000 liters

	Model	800 L	1000 L	1500 L	2000 L
Reference		BVE0800LWW	BVE1000LWW	BVE1500LWW	BVE2000LWW
Total capacity (liters)		702	900	1390	1900
Weight empty (kg)		265	294	395	601
Polyester fiber insulation (mm)		100			
Heat exchanger surface S1/S2 (m ²)		2.4 / 5.2	3.7 / 6.0	3.7 / 6.0	4.3 / 12.0
Heat exchanger volume S1/S2 (L)		14 / 31	23 / 35	23 / 35	26 / 68
Heat exchanger power S1/S2 (kW)		30 / 30	88 / 35	88 / 35	103 / 70
Heating water production at 80-60°C S1 / at 60-50°C S2 (m ³ /h)		2.6 / 2.58	3.8 / 3.01	3.8 / 3.01	4.4 / 6.02
Domestic hot water production at 10-45°C S1 / S2 (m ³ /h)		1.47 / 0.74	2.21 / 0.86	2.21 / 0.86	2.5 / 1.72
Pressure loss S1/S2 (mbar)		93 / 40	215 / 45	215 / 45	340 / 90
Energy efficiency class		C			
Maximum tank / heat exchanger working-temperature (°C)		95 / 110			
Max tank operating pressure (bar)		10			8
Max working heat exchanger pressure (bar)		10			



Model	ØC	ØD	H	b	c	d	e	f	g	h	i	j	k	l	n
800	990	790	1875	1610	1150	840	540	240	350	725	935	1170	1500	1610	200
1000	990	790	2205	1940	1270	1005	540	240	350	905	1095	1295	1830	1940	200
1500	1200	1000	2185	1820	1235	930	540	280	395	805	1090	1285	1725	1860	230
2000	1300	1100	2470	2025	1325	905	515	260	405	875	1080	1395	1980	2140	230

Dimensions (mm)

Model

	Outlet/Inlet tube	800-1000	1500-2000
1	Hot Water outlet	1" 1/4	1" 1/2
2	Anode	1" 1/2	1" 1/2
3	Probe - thermometer	1/2"	1/2"
4	Thermostat	1/2"	1/2"
5	Thermostat	1/2"	1/2"
7	Cold Water inlet	1" 1/4	1" 1/2
9-12	Heat exchanger inlet	1" 1/4	1" 1/4
8-10	Heat exchanger outlet	1" 1/4	1" 1/4
11	Recirculation	1"	1"
13	Hot Water outlet	1"	1"
14	Flange with back-up	1" 1/2	1" 1/2

Storage tank 3 years warranty

Certifications

Tank enamelling inside treatment according to DIN 4753-3 and UNI 10025
Made in European Union



SYRIUS SOLAR INDUSTRY
15 rue du Perpignan - ZAC Descartes
34880 Lavérune - France

+33 (0) 4 67 82 00 18
contact@syrius-solar.fr

SAS with capital of € 156 800 - RCS Montpellier 794 797 753 00041

www.syrius-solar.com

