

BVE-LWW 300 TO 500

Double heat exchanger - Large area for HP



The BVE-LWW series tanks are specially designed for primary circuit solar systems.

They are also equipped with a large surface heat exchanger (top) suitable for heat pump applications.

The tank and the heat exchangers are made of enamelled steel.

These tanks are to be placed on the ground.



Description

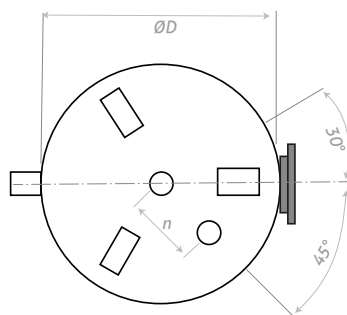
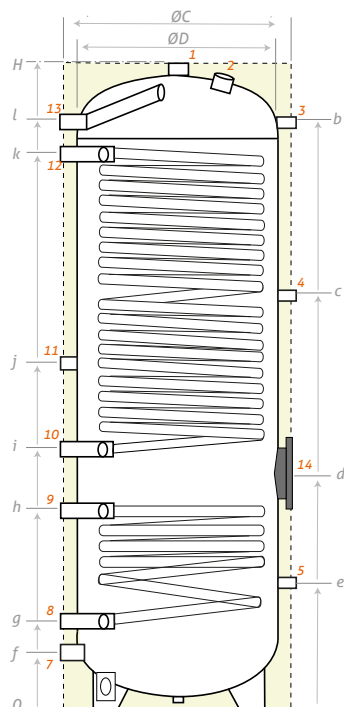
- Enamelled steel sanitary hot water storage tank*, equipped with two heat exchangers with a large area.
- Tank enamelling inside treatment according to DIN 4753-3 and UNI 10025. Protection by magnesium anode.
- Rigid PU insulation 50 mm thick, zipped PVC cover finish, removable.
- Optional electric back-up on 1 1/2" connection above the heat exchanger.
- External casing classified as standard M1 fire.
- 3 years warranty, electric part 2 years warranty.

* Sanitary water meeting the French standard according to decree N° 89-3 of 03/01/89



BVE-LWW 300 and 500 liters

Model	300 L	500 L
Reference	BVE0300LWW	BVE0500LWW
Total capacity (liters)	260	455
Weight empty (kg)	131	182
Rigid PU insulation (mm)	50	
Heat exchanger surface S1/S2 (m ²)	1.2 / 3.7	1.8 / 5.2
Heat exchanger volume S1/S2 (L)	8 / 18	10 / 31
Heat exchanger power S1/S2 (kW)	29 / 18.5	44 / 27.5
Heating water production at 80-60°C S1 / at 60-50°C S2 (m ³ /h)	1.25 / 1.59	1.9 / 2.37
Domestic hot water production at 10-45°C S1 / S2 (m ³ /h)	0.71 / 0.45	1.08 / 0.68
Pressure loss S1/S2 (mbar)	17 / 31	21 / 37
Energy efficiency class	C	
Maximum tank / heat exchanger working-temperature (°C)	95 / 110	
Max tank operating pressure (bar)	10	
Max working heat exchanger pressure (bar)	10	



Model	ØC	ØD	H	b	c	d	e	f	g	h	i	j	k	l	n
300	600	500	1615	1470	1035	590	315	140	220	495	650	865	1390	1470	150
500	740	650	1705	1500	1045	625	320	185	275	525	700	950	1395	1500	150

Dimensions (mm)

Outlet/Inlet tube	Model
1	Hot Water outlet 1" 1/4
2	Anode 1" 1/4
3	Probe - thermometer 1/2"
4	Thermostat 1/2"
5	Thermostat 1/2"
7	Cold Water inlet 1"
9-12	Heat exchanger inlet 1"
8-10	Heat exchanger outlet 1"
11	Recirculation 1/2"
13	Hot Water outlet 1"
14	Flange with back-up 1" 1/2

Storage tank 3 years warranty

Certifications

Tank enamelling inside treatment according to DIN 4753-3 and UNI 10025
Made in European Union



SYRIUS SOLAR INDUSTRY
15 rue du Perpignan - ZAC Descartes
34880 Lavérune - France

+33 (0) 4 67 82 00 18
contact@syrius-solar.fr

SAS with capital of € 156 800 - RCS Montpellier 794 797 753 00041

www.syrius-solar.com

