

BVE 800 TO 2000

DHW Storage tanks



The BVE series tanks are specially designed for direct circuit solar systems, without heat exchanger.

The tank is made of enamelled steel. The connections of the solar collector circuit are located at the front and rear of the tank, separately from the cold water inlet and hot water outlet located on the rear face.

These tanks are to be placed on the ground, and are generally used to solar storage of domestic hot water.



Description

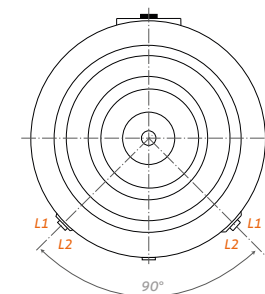
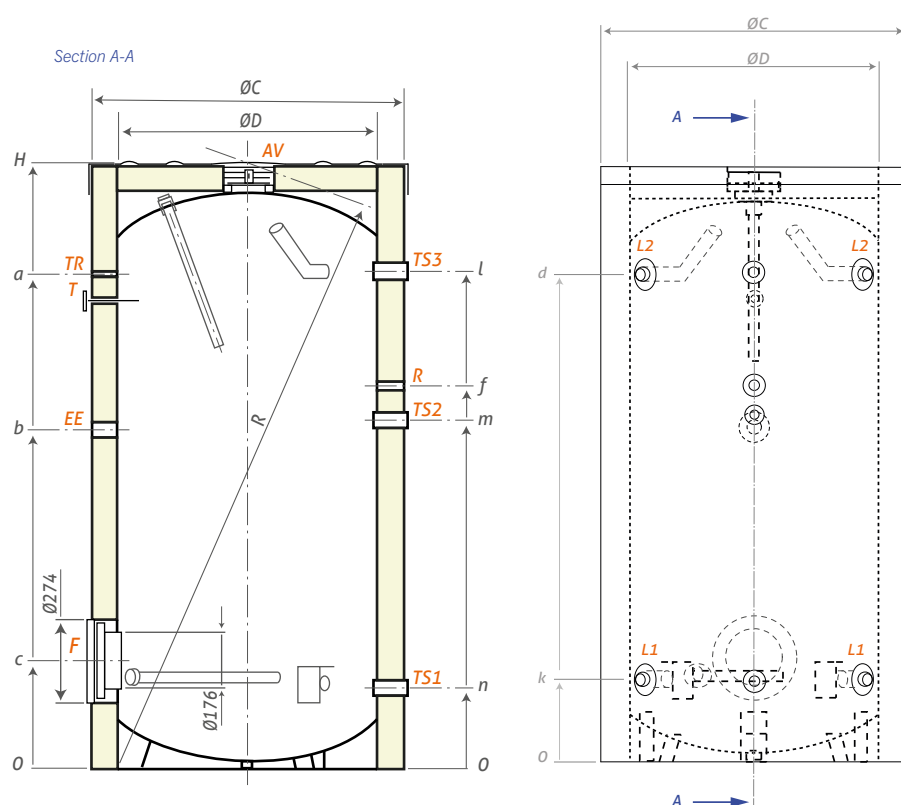
- Sanitary hot water storage tank* in enamelled steel, direct circuit.
- Tank enamelling inside treatment according to DIN 4753-3 and UNI 10025. Protection by 2 magnesium anodes.
- Flexible PU insulation 80 to 100 mm thick, zipped PVC cover finish, removable.
- Supplied with 1 1/2" connection on flange.
- Optional electric backup on 1 1/2" connection at mid-height.
- Available in 1, 2 or 3 flange versions
- External casing classified as standard M3 fire.
- M1 or M0 on request.
- 5 years warranty, electric part 2 years warranty.

* Sanitary water meeting the French standard according to decree N° 89-3 of 03/01/89



BVE 800 to 2000 liters

Model	800 L	1000 L	1500 L	2000 L
Reference	BVE0800	BVE1000	BVE1500	BVE2000
Total capacity (liters)	796	974	1475	1904
Weight empty (kg)	175	211	338	388
Flexible PU insulation (mm)	80	80	100	100
Heat loss ΔT 45K (kWh/24h)	129	141	158	183
Energy efficiency class				C
Maximum working-temperature (°C)				95
Max tank operating pressure (bar)				8
Outlets for temperature probes				3



		Model	
	Outlet/Inlet tube	800-1000	1500-2000
T	Thermometer	-	Ø14x1.5
AV	Air ventilation	3/4" F	3/4" F
TR	Temperature probes	1/2" F	1/2" F
EE	Electric element	1" 1/2	1" 1/2
L1.2	Inlet / Outlet DHW	1" 1/2 B	2" B
TS1.2.3	Temperature probes	1/2" F	1/2" F
F	Collector outlet	1" 1/2	1" 1/2
R	Collector inlet	3/4"	1" 1/2

B : double outlet/inlet tubes

Storage tank 5 years warranty

Certifications

Tank enamelling inside treatment according to DIN 4753-3 and UNI 10025
Made in European Union



Model	ØC	ØD	H	a	b	c	d	f	k	l	m	n	R
800	950	790	1947	1591	1050	350	1577	1272	282	1591	1172	268	1927
1000	1010	850	2012	1656	1132	354	1650	1274	284	1656	1174	272	2012
1500	1200	1000	2212	1769	1170	470	2070	1252	90	1752	1082	370	2361
2000	1300	1100	2412	1917	1297	487	2246	1360	90	1905	1131	387	2565

Dimensions (mm)

SYRIUS SOLAR INDUSTRY
15 rue du Perpignan - ZAC Descartes
34880 Lavérune - France

+33 (0) 4 67 82 00 18
contact@syrius-solar.fr

SAS with capital of € 156 800 - RCS Montpellier 794 797 753 00041

www.syrius-solar.com

