

BVE 2500 TO 3000

DHW Storage tanks



The BVE series tanks are specially designed for direct circuit solar systems, without heat exchanger.

The tank is made of enamelled steel.

These tanks are placed on the ground, and are generally used to solar storage of domestic hot water.



Description

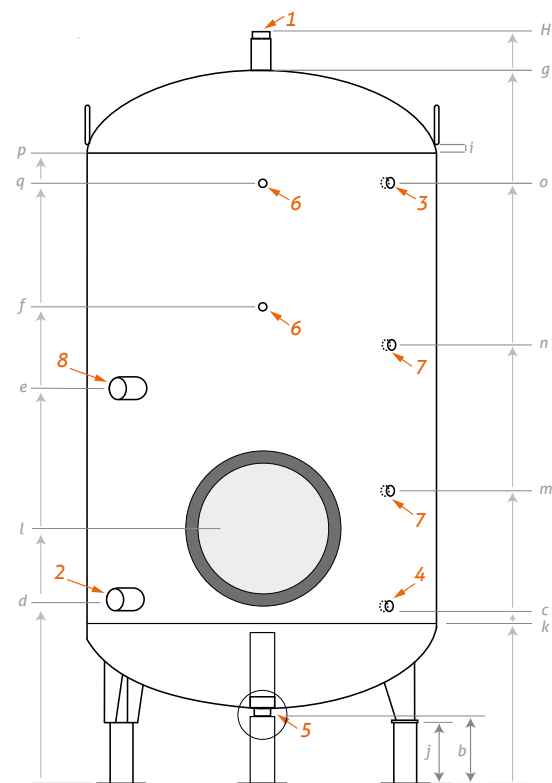
- Sanitary hot water storage tank* in enamelled steel, direct circuit.
- Tank enamelling inside treatment according to DIN 4753-3.
- Protection by magnesium anodes
- 100 mm thick mineral wool insulation, PVC cover finish, removable.
- Inspection flange Ø 400 mm.
- Electric backup with armoured elements or steatite from 3 to 60kW.
- External casing classified as standard M1 fire.
- MO on request.
- 5 years warranty, electric part 2 years warranty.

* Sanitary water meeting the French standard according to decree N° 89-3 of 03/01/89



BVE 2500 to 3000 liters

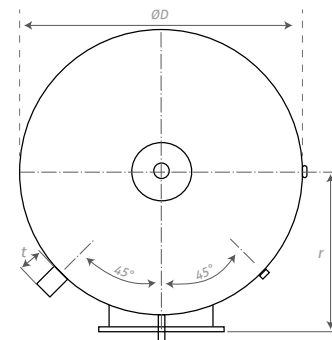
	Model	2500 L	3000 L
Reference		BVE2500	BVE3000
Total capacity (liters)		2551	2747
Weight empty (kg)		560	590
Mineral wool insulation (mm)			100
Maximum working-temperature (°C)			99
Max tank operating pressure (bar)			7
Outlets for temperature probes			2



Model	ØC	ØD	H	b	c	d	e	f	g	i	j	k	l	m	n
2500	1500	1400	2243	212	NC	NC	1180	1350	2133	40	200	580	883	930	1250
3000	1500	1400	2372	212	NC	NC	1250	1430	2262	40	200	NC	883	930	1250

Model	o	p	q	r	t
2500	1532	1778	NC	730	50
3000	1659	1907	1808	730	50

Dimensions (mm)



	Model
Outlet/Inlet tube	2500-3000
1	Hot Water outlet 2"
2	Cold Water inlet 2"
3	Collector inlet 1"
4	Collector outlet 1"
5	Drain 2"
6	Probes 1/2"
7	Anode 3/4"
8	Electric element 1"1/2

Storage tank 5 years warranty

Certifications

Tank enamelling inside treatment according to DIN 4753-3
Made in France



SYRIUS SOLAR INDUSTRY
15 rue du Perpignan - ZAC Descartes
34880 Lavérune - France

+33 (0) 4 67 82 00 18
contact@syrius-solar.fr

SAS with capital of € 156 800 - RCS Montpellier 794 797 753 00041

www.syrius-solar.com

