

# BVE 200 TO 500

*DHW Storage tanks*



The BVE series tanks are specially designed for direct circuit solar systems, without heat exchanger.

The tank is made of enamelled steel. The connections of the solar collector circuit are located at the front and rear of the tank, separately from the cold water inlet and hot water outlet located on the rear face.

These tanks are to be placed on the ground, and are generally used for solar storage of domestic hot water.



# Description

- Sanitary hot water storage tank\* in enamelled steel, without heat exchanger
- Tank enamelling inside treatment according to DIN 4753-3 and UNI 10025. Protection by 2 magnesium anodes.
- Rigid PU insulation 50 mm thick, zipped PVC cover finish.
- Supplied with 1 1/2" connection on flange.
- Optional electric backup on 1 1/2" connection at mid-height.
- External casing classified as standard M3 fire.
- M1 or M0 on request.
- 5 years warranty, electric part 2 years warranty.

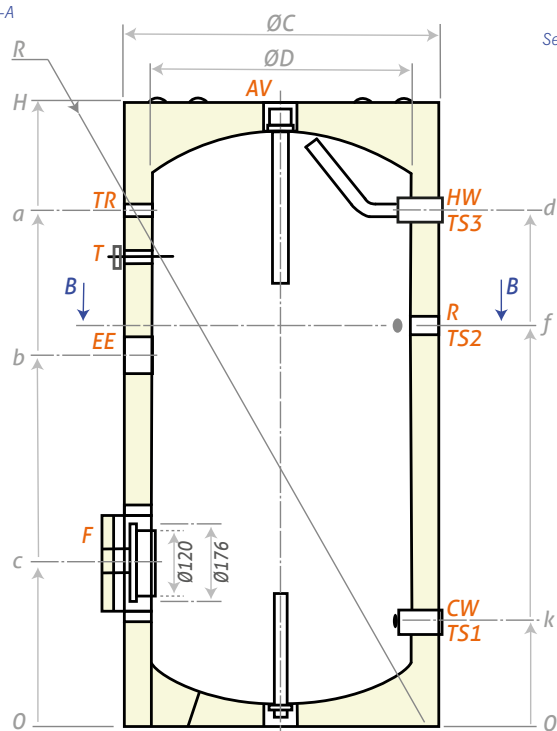
\* Sanitary water meeting the French standard according to decree N° 89-3 of 03/01/89



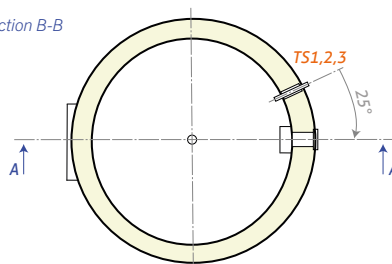
## BVE 200 to 500 liters

Model	200 L	300 L	400 L	500 L
Reference	BVE0200	BVE0300	BVE0400	BVE0500
Total capacity (liters)	202	294	406	497
Weight empty (kg)	45	66	117	125
Rigid PU insulation (mm)			50	
Heat loss ΔT 45K (kWh/24h)	1.4	1.7	2.2	2.3
Energy efficiency class	B	B	C	C
Maximum working-temperature (°C)			95	
Max tank operating pressure (bar)			8	
Outlets for temperature probes			3	

Section A-A



Section B-B



Outlet/Inlet tube	Model
CW	Cold Water inlet 1" F
HW	Hot Water outlet 1" F
TS1.2.3	Temperature probes 1/2" F
R	Recirculation 3/4" F
EE	Electric element 1 1/2"
T	Thermometer Ø14x1.5
TR	Temperature probes 1/2" F
AV	Air ventilation 3/4" F

**Storage tank 5 years warranty**

## Certifications

Tank enamelling inside treatment according to DIN 4753-3 and UNI 10025  
Made in European Union



Model	ØC	ØD	H	a	b	c	d	f	k	R
200	600	500	1207	993	714	314	993	771	199	1345
300	650	550	1427	1207	846	314	1207	1010	203	1563
400	750	650	1407	1156	813	331	1156	943	220	1596
500	750	650	1702	1445	983	321	1445	1196	211	1838

Dimensions (mm)

**SYRIUS SOLAR INDUSTRY**  
15 rue du Perpignan - ZAC Descartes  
34880 Lavérune - France

+33 (0) 4 67 82 00 18  
contact@syrius-solar.fr

SAS with capital of € 156 800 - RCS Montpellier 794 797 753 00041

[www.syrius-solar.com](http://www.syrius-solar.com)

