

BVE-WDB 200 TO 300

Single heat exchanger

Compacts self-draining



The BVE – WDB series storage tanks are mainly used for the composition of a ISWH Drain Back kit. The regulator and the pump are integrated directly into the tank. All that remains is to connect the collectors, the hot and cold water to the tank, which facilitates installation.

The tank and the heat exchanger are made of enamelled steel. These storage tanks are to be placed on the ground.



Description

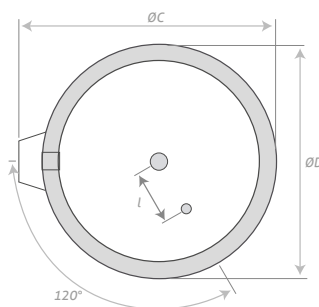
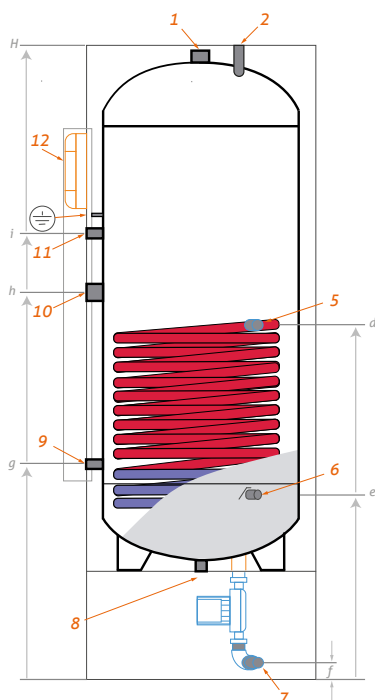
- Enamelled steel sanitary hot water storage tank*, equipped with one heat exchanger.
- Tank enamelling inside treatment according to DIN 4753-3 and UNI 10025. Protection by magnesium anode.
- Rigid PU insulation injected from 30 to 45 mm thick, zipped PVC cover finish.
- Optional electric back-up on 1 1/4" connection at mid-height.
- External casing classified as standard M1 fire.
- 5 years warranty, electric part 2 years warranty.

* Sanitary water meeting the French standard according to decree N° 89-3 of 03/01/89



BVE-WDB 200 to 300 liters

Model	200 L	300 L
Reference	BVE0200WDB	BVE0300WDB
Total capacity (liters)	196	273
Weight empty (kg)	120	160
Rigid PU insulation (mm)	30	45
Heat exchanger surface (m ²)	1.4	1.8
Heat exchanger volume (L)	8.6	10.9
Heat exchanger power (kW)	34	40
Rate of flow heat-exchanger (m ³ /h)	1.5	1.7
Pressure loss (mbar)	38	56
Energy efficiency class		C
Maximum working-temperature (°C)		95
Max tank operating pressure (bar)		10
Max working heat exchanger pressure (bar)		10
Outlets for temperature probes		2



Outlet/Inlet tube	Model
	200 to 300
1 Anode	1" 1/4
2 Hot water outlet	1/2"
5 Heat exchanger inlet	3/4"
6 Cold water inlet	1/2"
7 Heat exchanger outlet	3/4"
8 Drain	1/2"
9 Temperature probe	Ø10
10 Electric element	1" 1/4
11 Temperature probe	Ø10
12 Regulator	-

Storage tank 5 years warranty

Certifications

Tank enamelling inside treatment according to DIN 4753-3 and UNI 10025
Made in European Union



Model	ØC	ØD	H	d	e	f	g	h	i	l
200	625	560	1530	1000	520	55	530	1060	1120	145
300	705	640	1730	990	545	55	560	1065	1205	150

Dimensions (mm)

SYRIUS SOLAR INDUSTRY
15 rue du Perpignan - ZAC Descartes
34880 Lavérune - France

+33 (0) 4 67 82 00 18
contact@syrius-solar.fr

SAS with capital of € 156 800 - RCS Montpellier 794 797 753 00041

www.syrius-solar.com

