

BT-W 200 TO 500

Single heat exchanger



The buffer tank is used to store thermal energy in a heating system.

These tanks are made up of a black steel tank, suitable for the storage of heating water, but not suitable for the storage of domestic hot water.



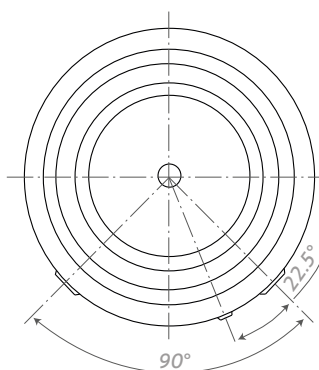
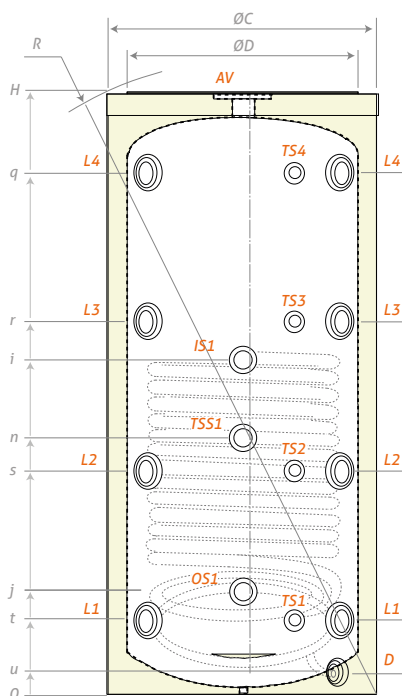
Description

- Buffer tank for heating system, equipped with one heat exchanger.
- Rigid PU insulation 50 mm thick, zipped PVC cover finish.
- External casing classified as standard M3 fire.
- M1 or M0 on request.
- 2 years warranty.



BT-W 200, 300, 400 and 500 liters

	Model	200 L	300 L	400 L	500 L
Reference		BT0200W	BT0300W	BT0400W	BT0500W
Total capacity (liters)		195	283	394	480
Weight empty (kg)		55	82	131	138
Rigid PU insulation (mm)			50		
Heat exchanger surface (m ²)		0.96	1.45	1.65	2.25
Heat exchanger volume (L)		5.8	8.8	10	13.7
Heat loss ΔT 45K (W)		59	68	91	95
Energy efficiency class			B		C
Maximum tank / heat exchanger working-temperature (°C)			95 / 110		
Maximum tank operating pressure (bar)			3		
Max working heat exchanger pressure (bar)			6		
Inlets tubes / Outlets tubes			4 / 5		
Outlets for temperature probes		4		5	



		Model	
	Outlet/Inlet tube	200-300	400-500
AV	Air ventilation	1"½	1"½
IS1	Heat exchanger inlet	1"	1"
OS1	Heat exchanger outlet	1"	1"
D	Drainage	¾" B	¾" B
TS1.2.3.4	Temperature probes	½"	½"
TSS1	Temperature probes		½"
L1.2.3.4	Inlet / Outlet	1"½	1"½

B : double outlet/inlet tube

Model	ØC	ØD	H	i	j	n	q	r	s	t	u	R
200	600	500	1202	655	268	-	995	730	465	200	75	1343
300	650	550	1422	817	301	-	1208	873	538	203	75	1560
400	750	650	1409	780	307	464	1165	849	533	217	75	1590
500	750	650	1674	719	289	719	1450	1038	626	214	75	1825

Dimensions (mm)

Buffer tank 2 years warranty

Certifications

Made in European Union



SYRIUS SOLAR INDUSTRY
15 rue du Perpignan - ZAC Descartes
34880 Lavérune - France

+33 (0) 4 67 82 00 18
contact@syrius-solar.fr

SAS with capital of € 156 800 - RCS Montpellier 794 797 753 00041

www.syrius-solar.com

