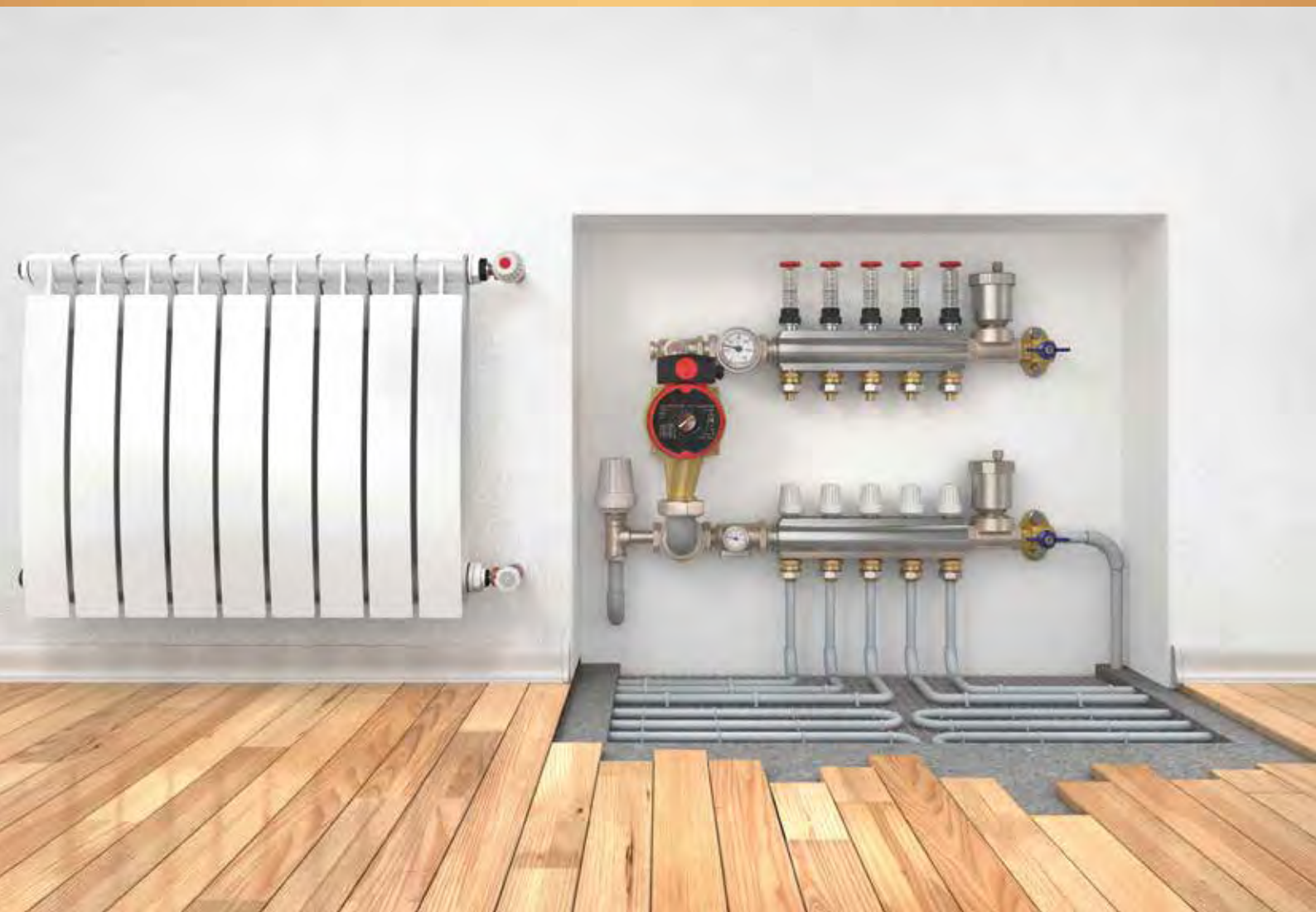


BT-AC 50



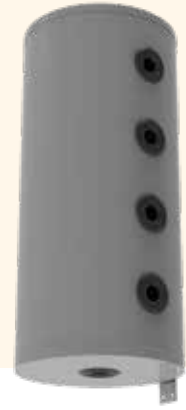
The buffer tank is used to store thermal energy in a heating system.

The BT-50 is generally used as a mixing bottle.



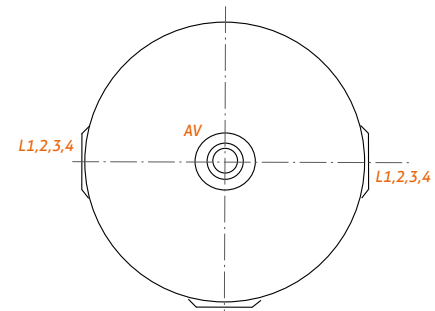
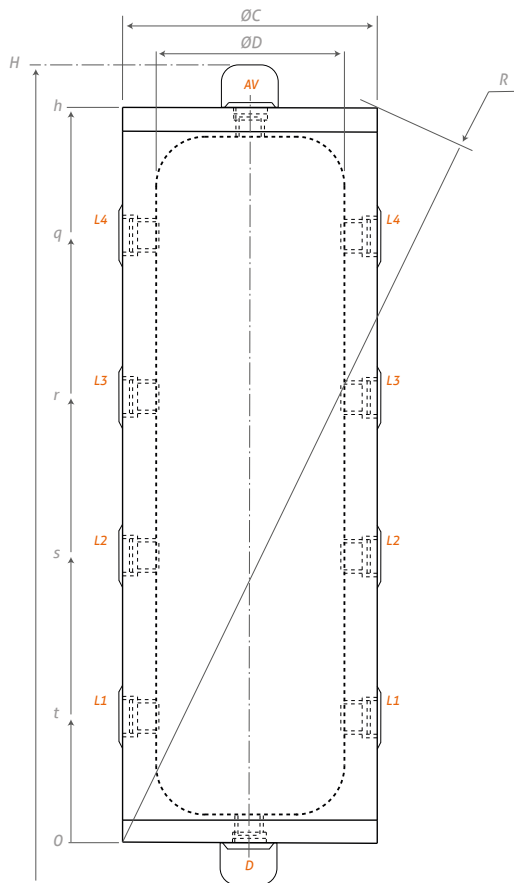
Description

- Buffer tank for air conditioning and heating system.
- 50 liters without heat exchanger
- Rigid PU insulation injected 50 mm thick, grey lacquered metal finish.
- 8 outlets / inlets tubes.
- 2 years warranty.



BT 50 liters

Model	50 L
Reference	BT0050AC
Total capacity (liters)	52
Weight empty (kg)	24.2
Standing losses ΔT 45K (W)	39
Energy efficiency class	B
Maximum working-temperature ($^{\circ}C$)	95
Max tank operating pressure (bar)	10



	Model
Outlet/Inlet tube	50
AV	Air ventilation 1"½
D	Drainage 1"½
L1.2.3.4	Inlet / Outlet (8) 1"¼

Buffer tank 2 years warranty

Certifications

Made in European Union



Model	ØC	ØD	H	h	q	r	s	t	R
50	400	300	985	865	718	528	338	148	953

Dimensions (mm)

SYRIUS SOLAR INDUSTRY
15 rue du Perpignan - ZAC Descartes
34880 Lavérune - France

+33 (0) 4 67 82 00 18
contact@syrius-solar.fr

SAS with capital of € 156 800 - RCS Montpellier 794 797 753 00041

www.syrius-solar.com

