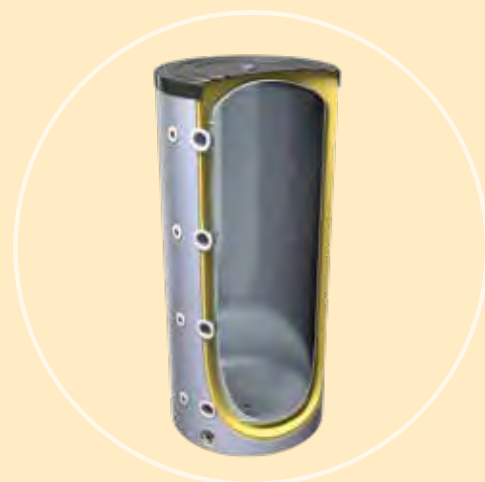


BT-AC 200 TO 500



The buffer tank is used to store thermal energy in a heating system.

These tanks are made up of a black steel tank, suitable for the storage of heating water, but not suitable for the storage of domestic hot water.



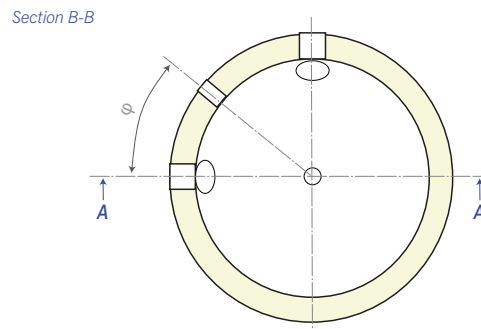
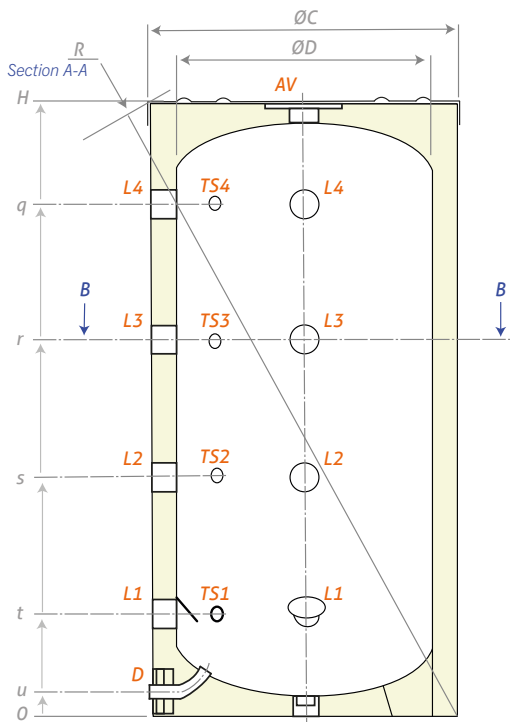
Description

- Buffer tank for air conditioning and heating system, without heat exchanger.
- Rigid PU insulation 50 mm thick, zipped PVC cover finish.
- External casing classified as standard M3 fire.
- M1 or M0 on request.
- 2 years warranty.



BT-AC 200, 300, 400 and 500 liters

Model	200 L	300 L	400 L	500 L
Reference	BT0200AC	BT0300AC	BT0400AC	BT0500AC
Total capacity (liters)	202	294	406	497
Weight empty (kg)	40	59	113.5	121
Rigid PU insulation (mm)			50	
Heat loss ΔT 45K (W)	59	68	91	95
Energy efficiency class	B	B	C	C
Maximum working-temperature (°C)			95	
Max tank operating pressure (bar)			3	
Inlets tubes			4	
Outlets tubes			5	
Outlets for temperature probes			4	



		Model
	Outlet/Inlet tube	200 to 500
AV	Air ventilation	1"½
D	Drainage	¾"
TS1.2.3.4	Temperature probes	½"
L1.2.3.4	Inlet / Outlet	1"½

Buffer tank 2 years warranty

Certifications

Made in European Union



Model	ØC	ØD	H	q	r	s	t	u	R	φ
200	600	500	1200	993	728	463	198	50	1345	45°
300	650	550	1420	1208	873	538	203	52	1563	45°
400	750	650	1410	1165	849	533	217	67	1590	22.5°
500	750	650	1674	1451	1039	627	215	67	1823	22.5°

Dimensions (mm)

SYRIUS SOLAR INDUSTRY
15 rue du Perpignan - ZAC Descartes
34880 Lavérune - France

+33 (0) 4 67 82 00 18
contact@syrius-solar.fr

SAS with capital of € 156 800 - RCS Montpellier 794 797 753 00041

www.syrius-solar.com

