

BT-AC 100 TO 160



The buffer tank is used to store thermal energy in a heating system.

These tanks are made up of a black steel tank, suitable for the storage of heating water, but not suitable for the storage of domestic hot water.



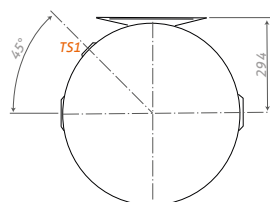
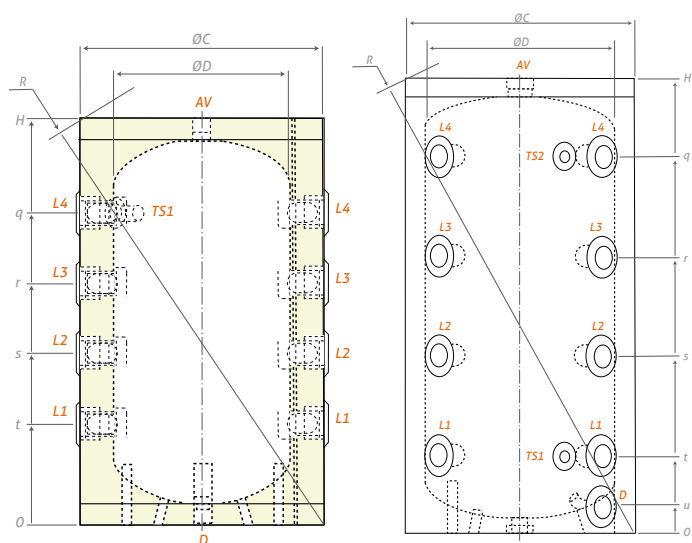
Description

- Buffer tank for air conditioning and heating system, without heat exchanger.
- Rigid PU insulation 50 to 73 mm thick, zipped PVC cover finish.
- External casing classified as standard M3 fire.
- 2 years warranty.

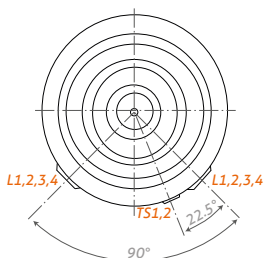


BT-AC 100 and 160 liters

Model	100 L	160 L
Reference	BT0100AC	BT0160AC
Total capacity (liters)	101	163
Weight empty (kg)	34	40
Rigid PU insulation (mm)	73	50
Heat loss ΔT 45K (W)	34	49
Energy efficiency class	A	B
Maximum working-temperature (°C)	95	
Max tank operating pressure (bar)	3	
Outlets for temperature probes	1	2



Model 100 l



Model 160 l

		Model	
	Outlet/Inlet tube	100	160
AV	Air ventilation	3/4"	1"1/2"
D	Drainage	3/4"	3/4" B
TS1.2.	Temperature probes	1/2"	1/2"
L1.2.3.4	Inlet / Outlet	1"1/2"	1"1/2"

B : double outlet/inlet tube

Model	ØC	ØD	H	q	r	s	t	u	R
100	550	404	932	710	550	390	230	-	1081
160	600	500	1007	779	586	393	200	75	1169

Dimensions (mm)

Buffer tank 2 years warranty

Certifications

Made in European Union



SYRIUS SOLAR INDUSTRY
15 rue du Perpignan - ZAC Descartes
34880 Laverune - France

+33 (0) 4 67 82 00 18
contact@syrius-solar.fr

SAS with capital of € 156 800 - RCS Montpellier 794 797 753 00041

www.syrius-solar.com

